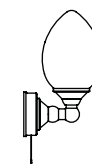


Edwardian Single  
round light  
T50



Edwardian Single  
elliptical light  
T52

## INSTALLATION INSTRUCTIONS

READ THESE INSTRUCTIONS BEFORE INSTALLATION  
PLEASE LEAVE A COPY FOR FUTURE REFERENCE.

### GENERAL

- Burlington lights are to be connected with 220V ~ 240V main supply.
- Ensure that ALL electrical connections are tight no loose wire.

### IMPORTANT

- Installation should be carried out by a qualified electrician and in accordance with the latest edition of the I.E.E. Wiring Regulation (BS7671).
- The light is IP44 rated and is protected against splashing water from all directions when correctly installed. It is suitable for installation in bathroom EXCEPT where water jets are likely.
- Before commencing installation ensure the electricity supply is switched off at the mains.
- Use only with G9 LED lamp, maximum 3.5 Watts.

### IMPORTANT USE INFORMATION

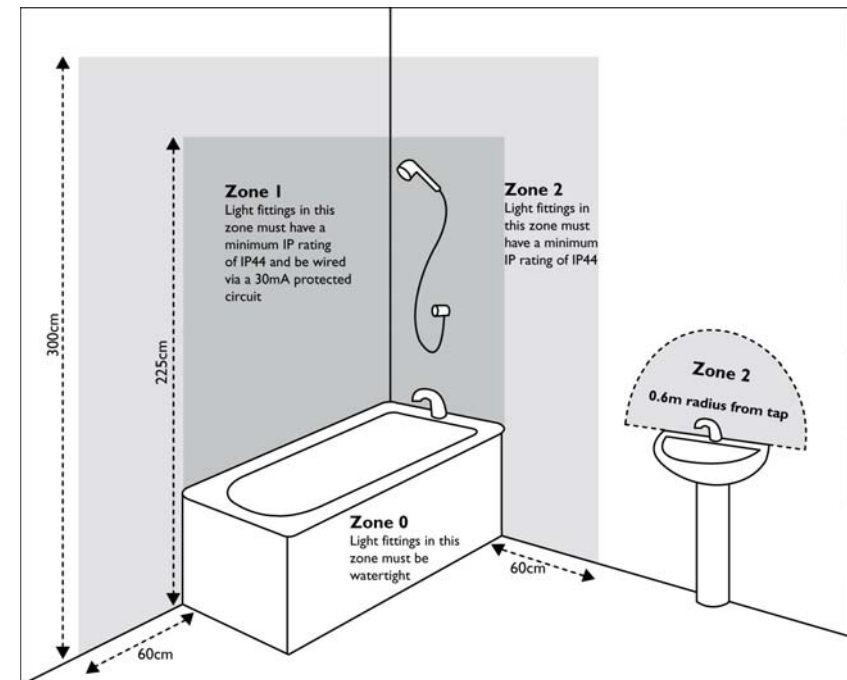
- Always switch off mains supply before fitting or changing the lamp.
- Replace failed lamps immediately. Allow the glass, lamp and fitting to cool before replacing the lamp
- Check that the correct lamp type and wattage is fitted as indicated on the rating label.

### GUARANTEE:

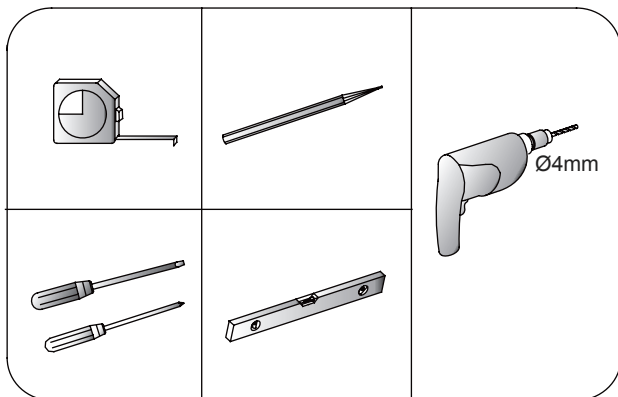
- This product is guaranteed for a period of 1 year from the date of purchase. The guarantee is invalid in the case of improper use, installation or tampering.

### POSITION:

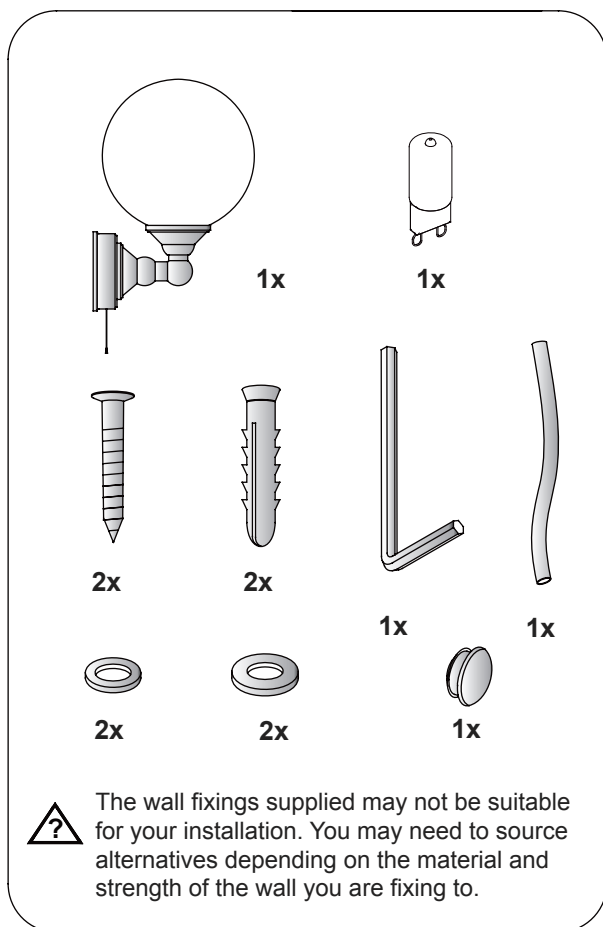
The light could be installed in Zone 2 or outside Zone.



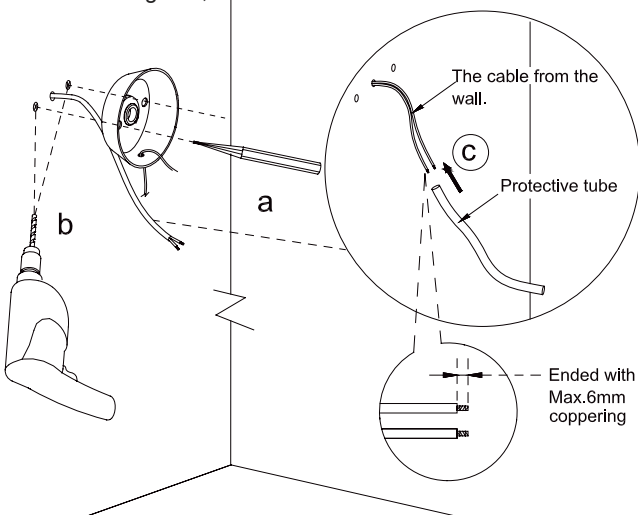
### Tools required:



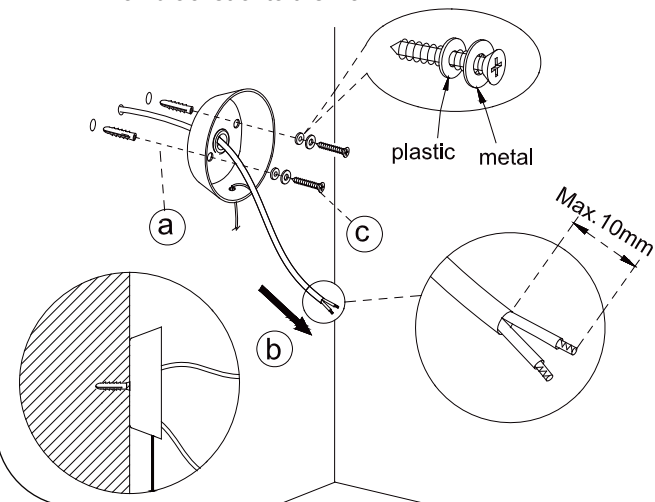
### Parts supplied:



- 1** Determine the final installation position of the light, Loosen two grub screws on the base with the allen key supplied, and remove wall bracket from base. With the pull cord downwards, put the wall bracket against the wall, mark two fixing holes positions. Drill holes in marked positions. Please make sure that the protective plugs on the base and on the wall bracket are aligned, and then drill holes on the wall.



- 2** Insert wall plugs. Drill an eyelet on the soft protective cap of the wall bracket. Let the protective tube pass through the eyelet. Fix wall bracket onto the wall.

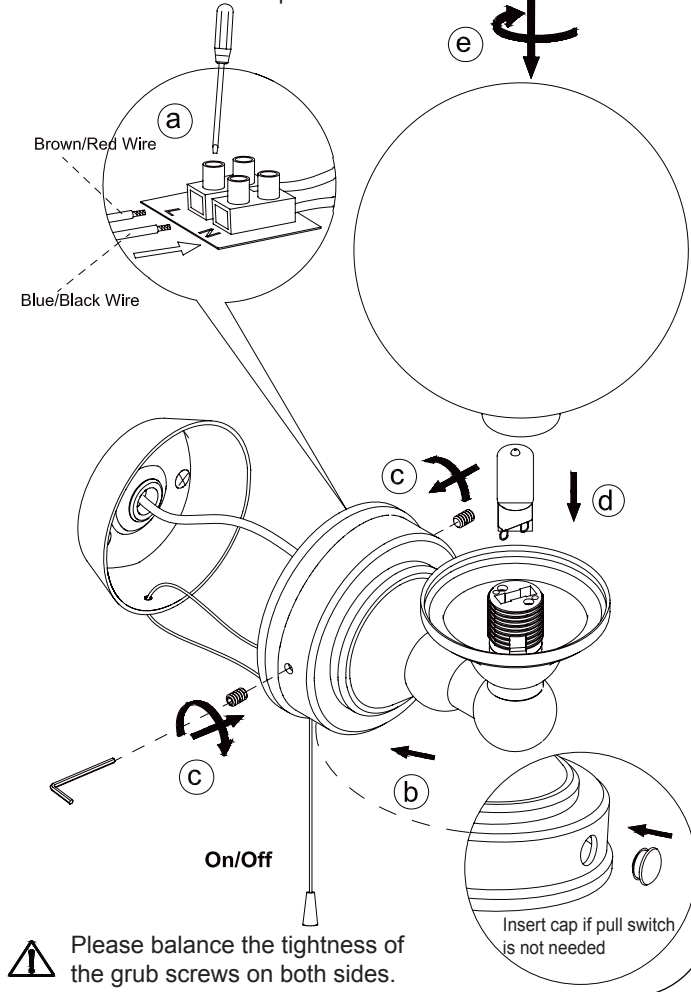


- 3** Replace the base ensuring that the wire is not trapped between the base and the wall bracket. Tighten the two grub screws on the base.
- \* Unscrew the lampshade and insert the lamp into the lampholder by pushing the two pins in. Replace the lampshade, switch on the power.

Please note if the light is to be centrally switched:

1. Turn light to on
2. Remove pull switch
3. Insert Cap

Please ensure the the product is suitably earthed, Please consult a qualified electrician.



Please balance the tightness of the grub screws on both sides.