

# SPECIFICATION SHEET

**COLLECTION:** OMIKA NOIR

**PRODUCT CODE:** IND-OMI109-PB



**DESCRIPTION:**

basin mixer  
wall mounted  
water flow aerator  
1/4 turn ceramic disc valves  
2 x FL-201-LTC  
2 x 1/2" female inlets  
min-max wall mount 60-80mm  
minimum operating pressure 1.0 bar MP

**FINISH:**

Polished Black

**FLOW REGULATOR:**

fitted as standard

**MINIMUM OPERATING PRESSURE:**

1.0 bar MP

**FLOW RATE AT 3.0 BAR FLOW PRESSURE:**

4 l/min



tel: 01934 744466  
email: [sales@vado.com](mailto:sales@vado.com)  
[www.vado.com](http://www.vado.com)

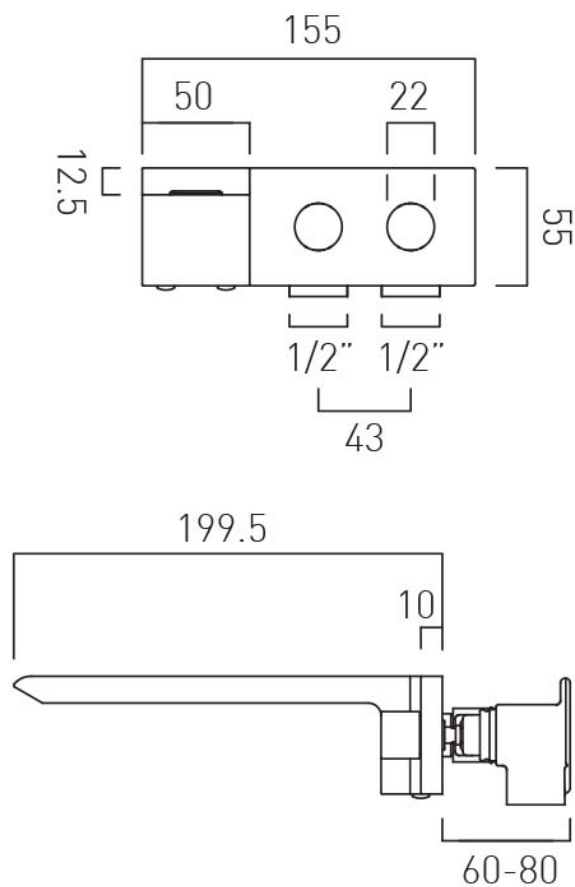
**where inspiration flows**  
taps | showering | accessories



# TECHNICAL DRAWING

**COLLECTION:** OMIKA NOIR

**PRODUCT CODE:** IND-OMI109-PB



tel: 01934 744466  
email: sales@vado.com  
www.vado.com

**where inspiration flows**  
taps | showering | accessories

