

SPECIFICATION SHEET

COLLECTION: FLUSH CISTERNS AND PLATES

PRODUCT CODE: WG-095-C



DESCRIPTION:

concealed standard cistern
to suit back-to-wall type toilet pan
dual flush
mounting kit included
top mounted 1/2" inlet
integral internal 1/4 turn lever isolation valve
integral internal debris filter
flush plate depth tolerance of 70mm
front actuation



tel: 01934 744466
email: sales@vado.com
www.vado.com

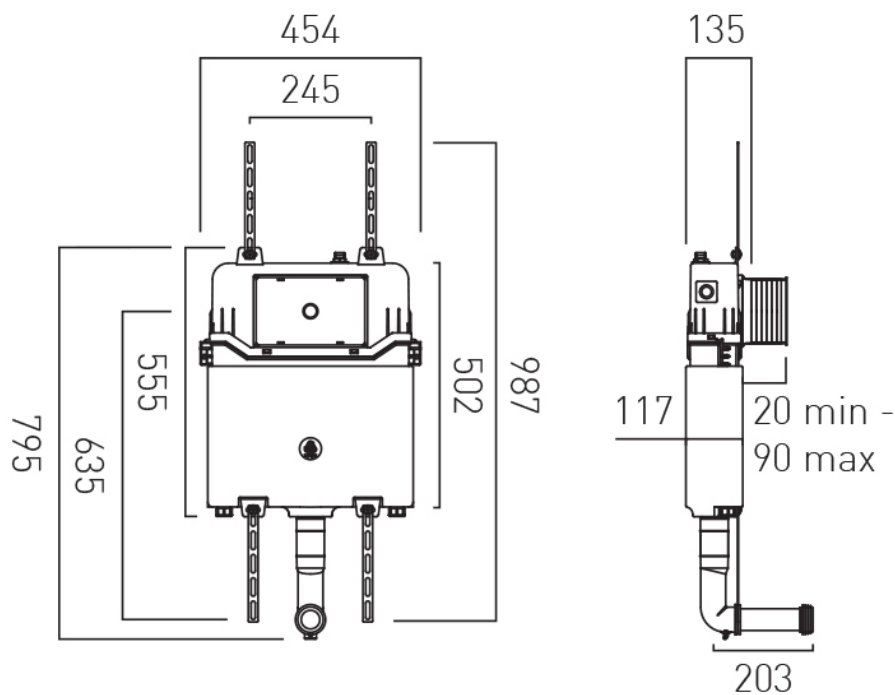
where inspiration flows
taps | showering | accessories



TECHNICAL DRAWING

COLLECTION: FLUSH CISTERNS AND PLATES

PRODUCT CODE: WG-095-C



tel: 01934 744466
email: sales@vado.com
www.vado.com

where inspiration flows
taps | showering | accessories

