

SPECIFICATION SHEET

COLLECTION: FLUSH CISTERNS AND PLATES

PRODUCT CODE: WG-095-F/C



DESCRIPTION:

concealed standard frame cistern
dual flush
180mm & 230mm width centres to support wall hung toilet
250mm leg height adjustment
frame supports 400kg weight
30mm soil pipe height adjustment
block wall and stud frame fixing brackets included
top mounted 1/2" inlet
integral internal 1/4 turn lever isolation valve
integral internal debris filter
finished height fixing location marking
flush plate depth tolerance of 70mm
pre-set flush volume 6ltr & 3ltr
flush volume adjustable to 4ltr & 2.6ltr
front actuation



tel: 01934 744466
email: sales@vado.com
www.vado.com

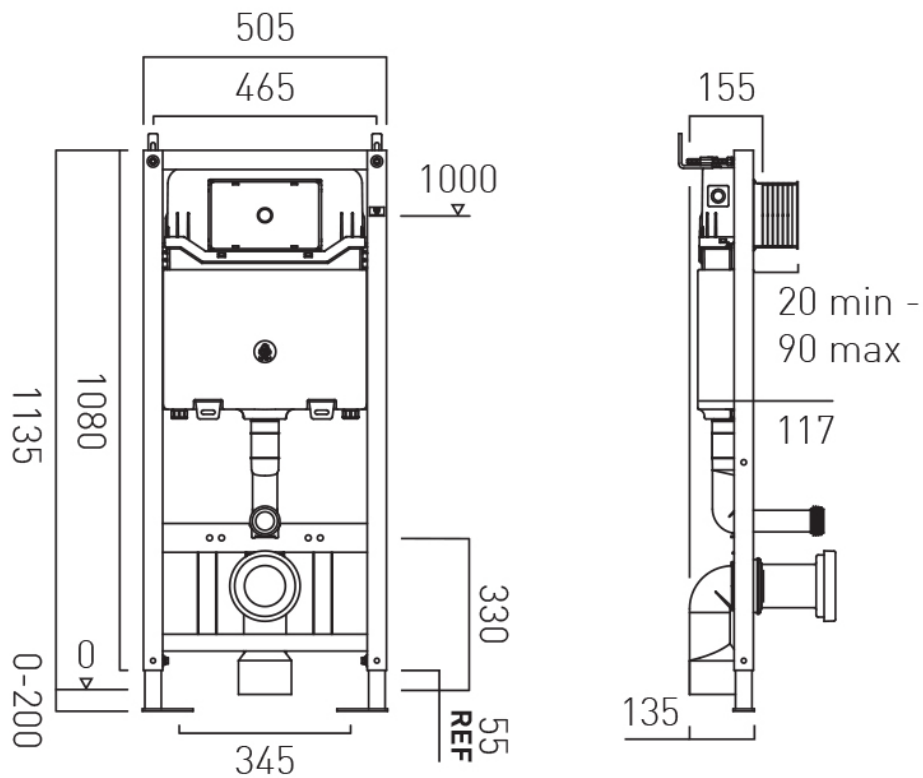
where inspiration flows
taps | showering | accessories



TECHNICAL DRAWING

COLLECTION: FLUSH CISTERNS AND PLATES

PRODUCT CODE: WG-095-F/C



tel: 01934 744466
email: sales@vado.com
www.vado.com

where inspiration flows
taps | showering | accessories

