

# SPECIFICATION SHEET

## COLLECTION:

PRODUCT CODE: STRA-149RRK-CP



## DESCRIPTION:

Strata

- thermostatic shower valve with integrated diverter and rigid riser
- glass topped valve doubles as a shelf
- Saturn 254mm (10") round shower head
- Nebula round 3 function shower handset
- easy-fit brackets included

minimum operating pressure 1.0 bar MP

## FINISH:

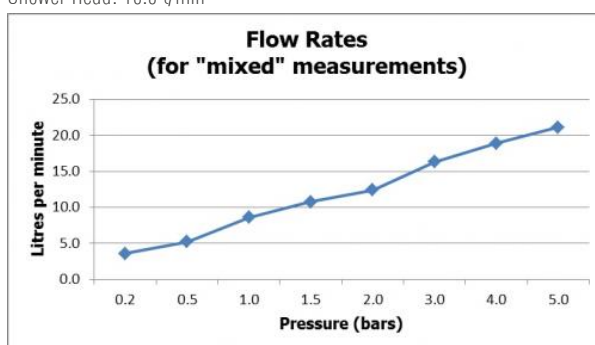
Chrome

## MINIMUM OPERATING PRESSURE:

1.0 bar MP

## FLOW RATE AT 3.0 BAR FLOW PRESSURE:

Shower Head: 16.3 l/min



15 year guarantee

tel: 01934 744466  
email: sales@vado.com  
www.vado.com

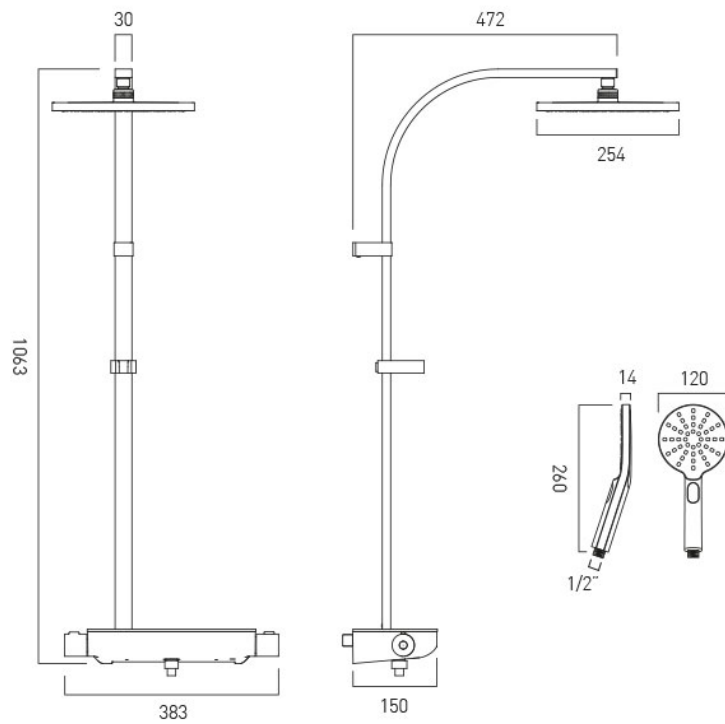
where inspiration flows  
taps | showering | accessories



# TECHNICAL DRAWING

COLLECTION:

PRODUCT CODE: STRA-149RRK-CP



tel: 01934 744466  
email: sales@vado.com  
www.vado.com

**where inspiration flows**  
taps | showering | accessories

