

---

# SPECIFICATION SHEET

**COLLECTION:** DX

**PRODUCT CODE:** DX-173252-MIX-CP



tel: 01934 744466  
email: [sales@vado.com](mailto:sales@vado.com)  
[www.vado.com](http://www.vado.com)

**where inspiration flows**  
taps | showering | accessories



**DESCRIPTION:**

Mix2

- 3 outlet thermostatic shower valve
- Aquablade 200mm square head and shower arm
- Mix2 single function shower kit with integrated outlet and bracket
- square push type bath filler waste and overflow

thermostatic cartridge V-001C-PLA  
diverter cartridge FL-804-33X/3X  
minimum operating pressure  
0.2 bar LP (shower) 1.0 bar MP (bath)

kit comprises:

MIX-148D/3-C/P  
AQB-SQ/20/SA/A-C/P  
MIX-SFMKW0-C/P  
WG-81389/SQ-C/P

2 x 3/4" female inlets  
3 x 3/4" female outlets  
includes 3/4" - 1/2" adaptors  
inc. bleed valve for system flush on installation  
min-max wall mount 70-95mm  
optimum installation depth 82mm

**FINISH:**

Chrome

**FLOW REGULATOR:**

FR-SHOWER/9-C/P (Shower Kit) FR-SHOWER/9-PLA (Fixed Head)

**MINIMUM OPERATING PRESSURE:**

1.0 bar MP (bath) 0.2 bar LP (Shower)



tel: 01934 744466  
email: sales@vado.com  
www.vado.com

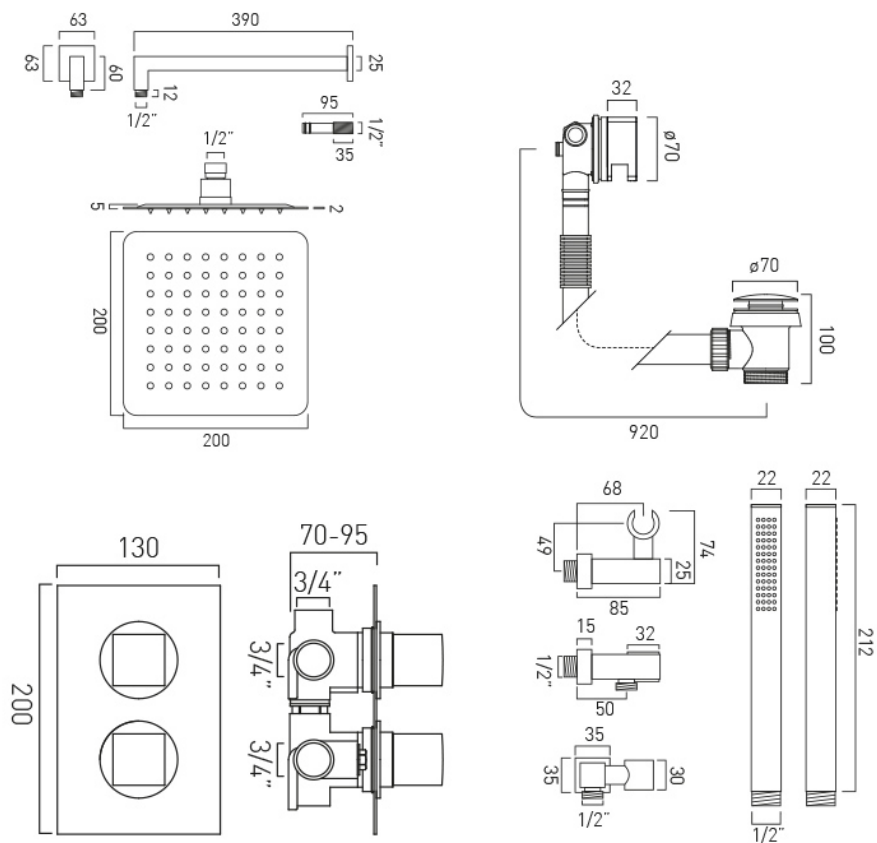
**where inspiration flows**  
taps | showering | accessories



# TECHNICAL DRAWING

COLLECTION: DX

PRODUCT CODE: DX-173252-MIX-CP



tel: 01934 744466  
email: sales@vado.com  
www.vado.com

**where inspiration flows**  
taps | showering | accessories

