

SPECIFICATION SHEET

COLLECTION: OMIKA NOIR

PRODUCT CODE: IND-T148/2-OMI-PB



DESCRIPTION:

Tablet Omika vertical concealed
2 outlet 2 handle thermostatic shower valve
with all-flow function
wall mounted
thermostatic cartridge V-001C-PLA
diverter cartridge FL-802-33/2MX
2 x 3/4" female inlets
2 x 3/4" female outlets
includes 3/4" - 1/2" adaptors
supplied with mortar/tile guard
min-max wall mount 75-100mm
optimum installation depth 87mm
minimum operating pressure
0.2 bar LP (shower) 1.0 bar MP (bath)

FINISH:

Polished Black

MINIMUM OPERATING PRESSURE:

0.2 bar LP (shower) 1.0 bar MP (bath)



tel: 01934 744466
email: sales@vado.com
www.vado.com

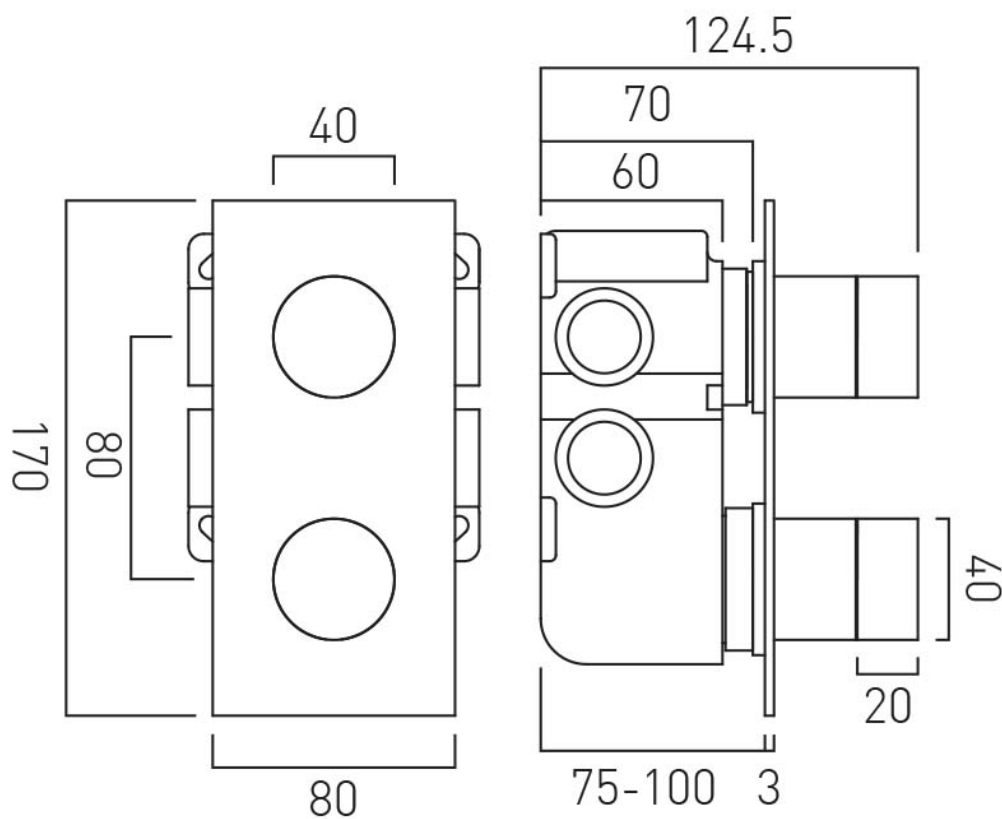
where inspiration flows
taps | showering | accessories



TECHNICAL DRAWING

COLLECTION: OMIKA NOIR

PRODUCT CODE: IND-T148/2-OMI-PB



tel: 01934 744466
email: sales@vado.com
www.vado.com

where inspiration flows
taps | showering | accessories

