

SPECIFICATION SHEET

COLLECTION: SIRKEL
PRODUCT CODE: AX-SIR-MFSP-CP



DESCRIPTION:

exposed round thermostatic 1/2" shower valve
sirkel multi function slide rail kit
1/2" x 3/4" x 50mm eccentrics
easy fit mounting brackets
thermostatic cartridge S-701-31S
flow cartridge H-202-RTC
minimum operating pressure 1.0 bar

FINISH:

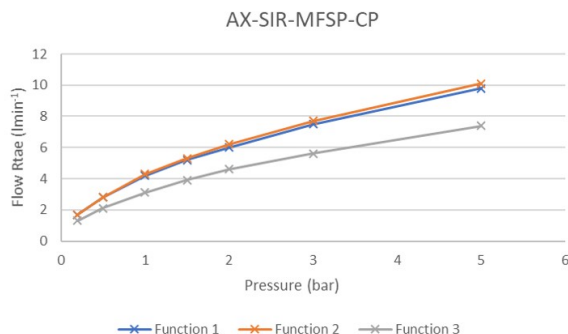
Chrome

MINIMUM OPERATING PRESSURE:

1.0 bar MP

FLOW RATE AT 3.0 BAR FLOW PRESSURE:

Function 1: 11 l/m, Function 2: 11.2 l/m, Function 3: 9.9 l/m



CONTACT

SALES: 01934 744466

AFTERSALES: 01934 745163

EMAIL: SALES@VADO.COM

WWW.VADO.COM/AXCES

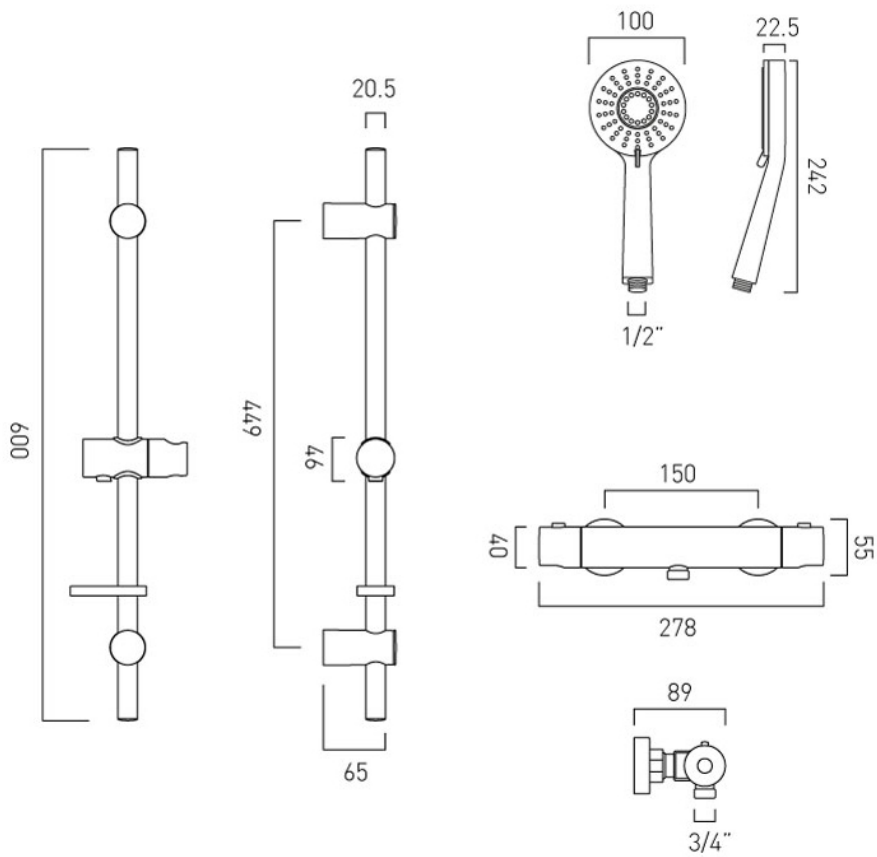
AXCES
by VADO

.....

TECHNICAL DRAWING

COLLECTION: SIRKEL

PRODUCT CODE: AX-SIR-MFSP-CP



CONTACT

SALES: 01934 744466

AFTERSALES: 01934 745163

EMAIL: SALES@VADO.COM

WWW.VADO.COM/AXCES

AXCES
by VADO