

SPECIFICATION SHEET

COLLECTION: SPA

PRODUCT CODE: SPA-1801-30-C/P



DESCRIPTION:

spa grab or towel rail 300mm (12")

FINISH:

Chrome



tel: 01934 744466
email: sales@vado.com
www.vado.com

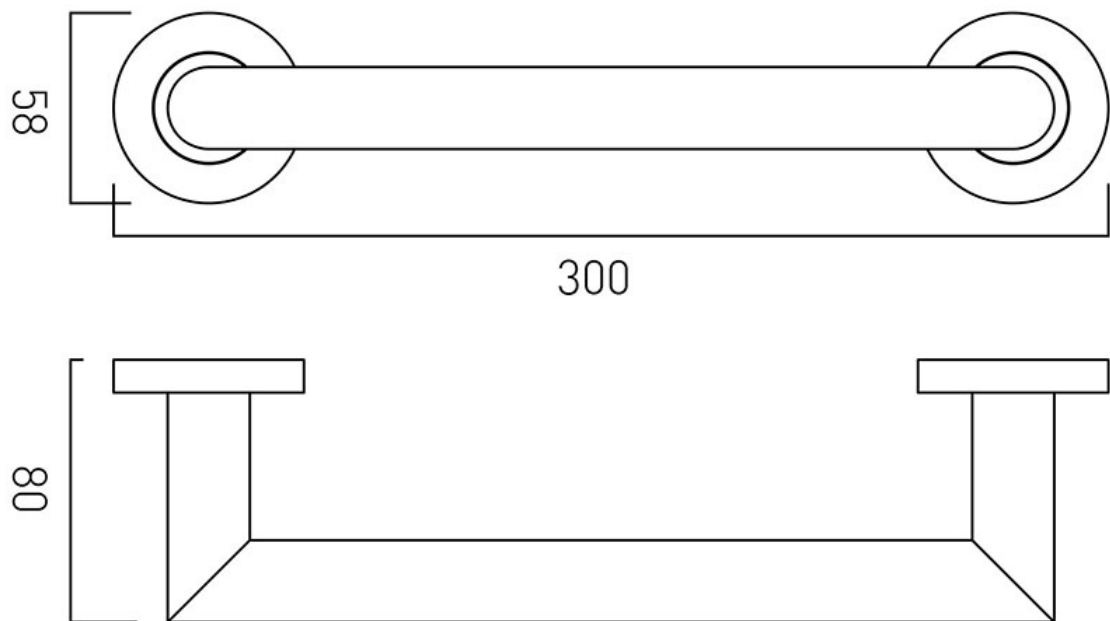
where inspiration flows
taps | showering | accessories



TECHNICAL DRAWING

COLLECTION: SPA

PRODUCT CODE: SPA-1801-30-C/P



tel: 01934 744466
email: sales@vado.com
www.vado.com

where inspiration flows
taps | showering | accessories

