

# SWIVEL PANEL



## IMPORTANT

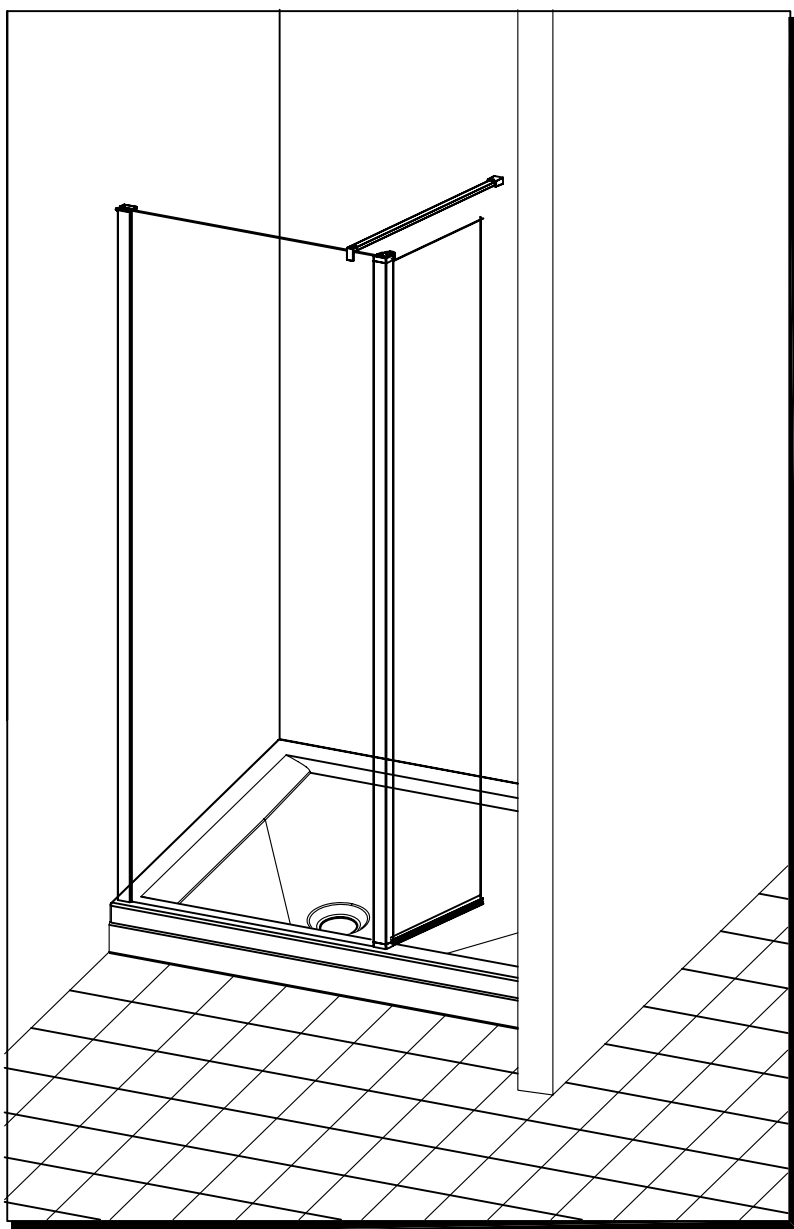
Thank you for choosing Merlyn. Please familiarise yourself with the fitting instructions before commencing fitting.

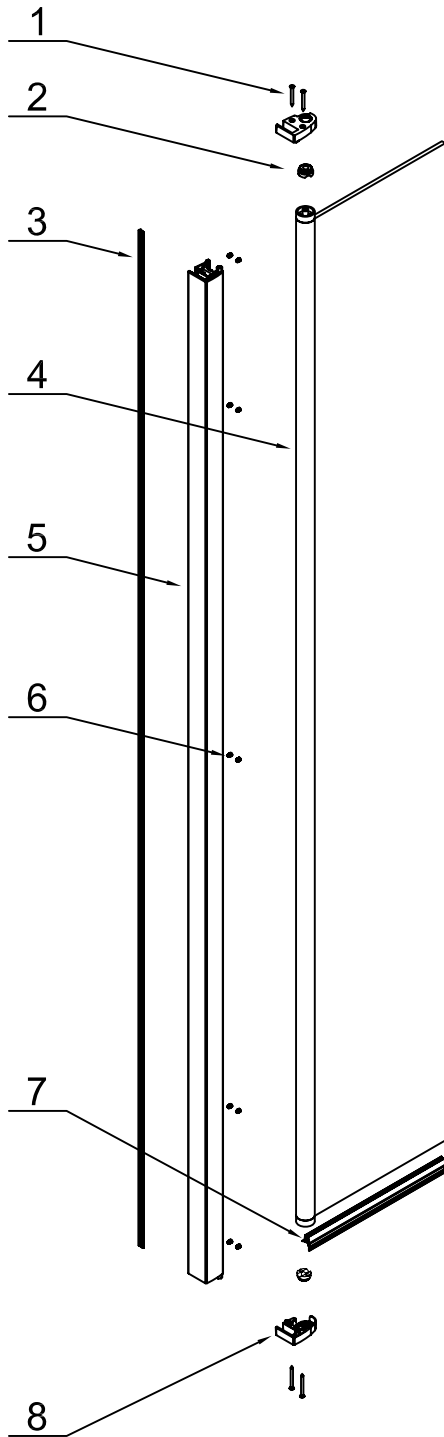
DO NOT attempt to install the product unless you can tick ALL 4 boxes as satisfactory.

1. Check that you have the tools required.
2. Check the installation site is compatible with size of door supplied

3. Check all the enclosure components.
4. Check the installation kit is complete

Any parts missing or damaged must be reported to your supplier within 5 days of purchase. Inspect shower enclosure before fitting as no claims will be acceptable after product has been installed.





No.	Description	QTY	Part No.
1	Countersunk self-tapping screw ST4*50	4	MGST450
2	Rising butt nylon	2	MGLP8494
3	Wedge seal	1	S8S010
4	Moving panel	1	
5	Complete pivot base profile kit	1	S8S001
6	Screw 6*12	10	MGM612
7	Water bottom seal	1	S8S009
8	Bracket(1 left, 1 right)	2	MGS806L/R

### Fixing Kit components



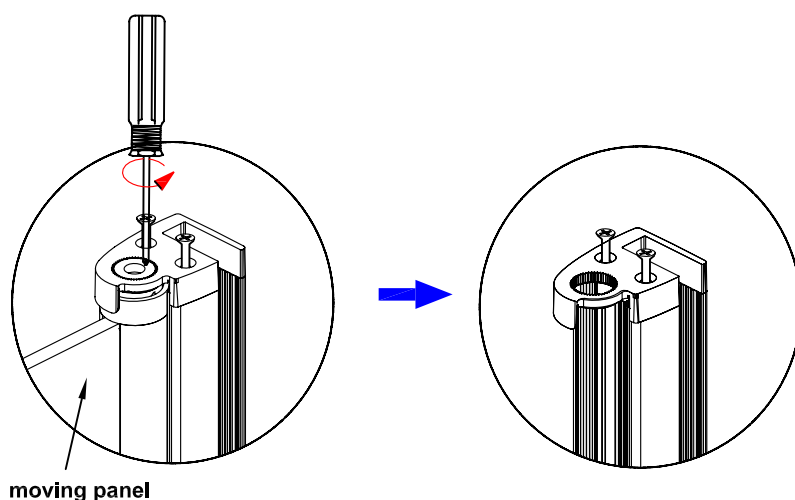
3MMALKEY  
x 1

### Tools required

- #2 Philips Head screw driver

**Step 1.**

To fit panel you need to loosen the two screws at the top and remove the swivel panel.



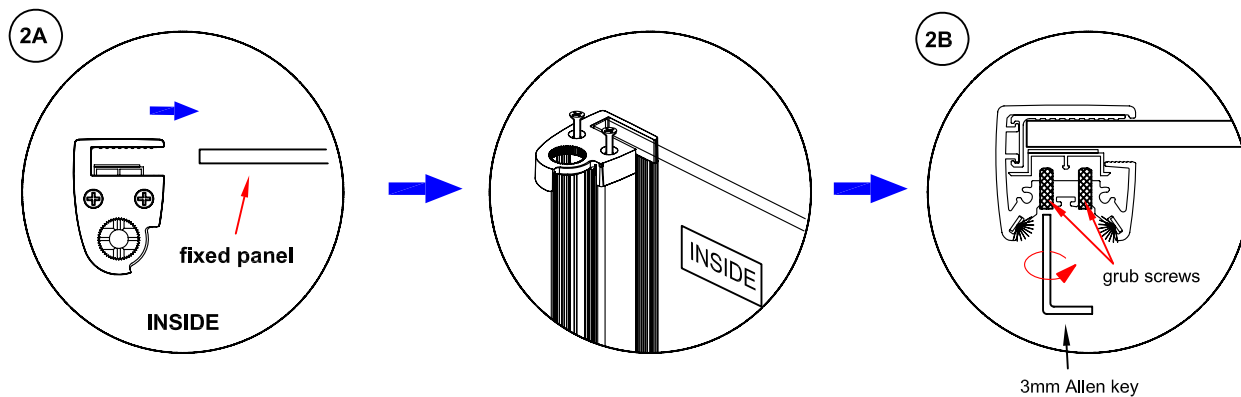
moving panel

**Step 2.**

2A: Push profile fully onto fixed panel.

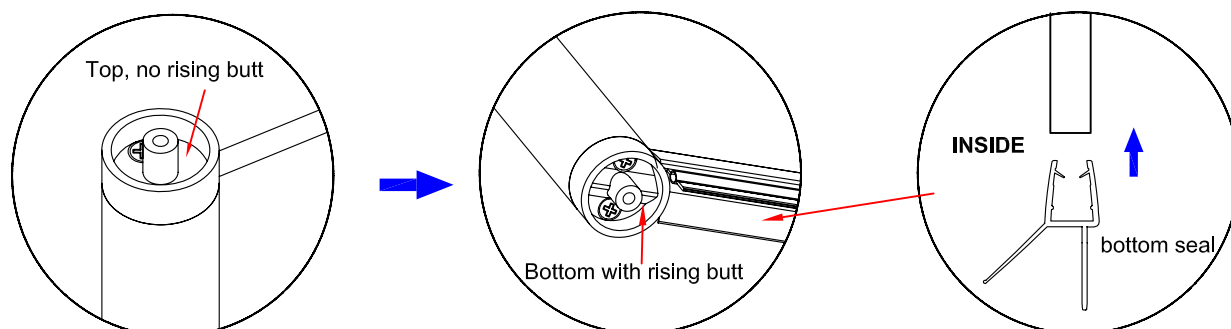
2B: Tighten all grub screws with 3mm Allen key until secure.

**Note: DO NOT OVER TIGHTEN**



**Step 3.**

Note which end of the swivel panel has the rising butt and place this end into bottom of swivel frame. Fit bottom seal keeping fin to inside.



**Step 4.**

Note the position of rising butt before fitting moving panel.

If you need to adjust the fixed position of the moving panel then follow steps 4A to 4D.

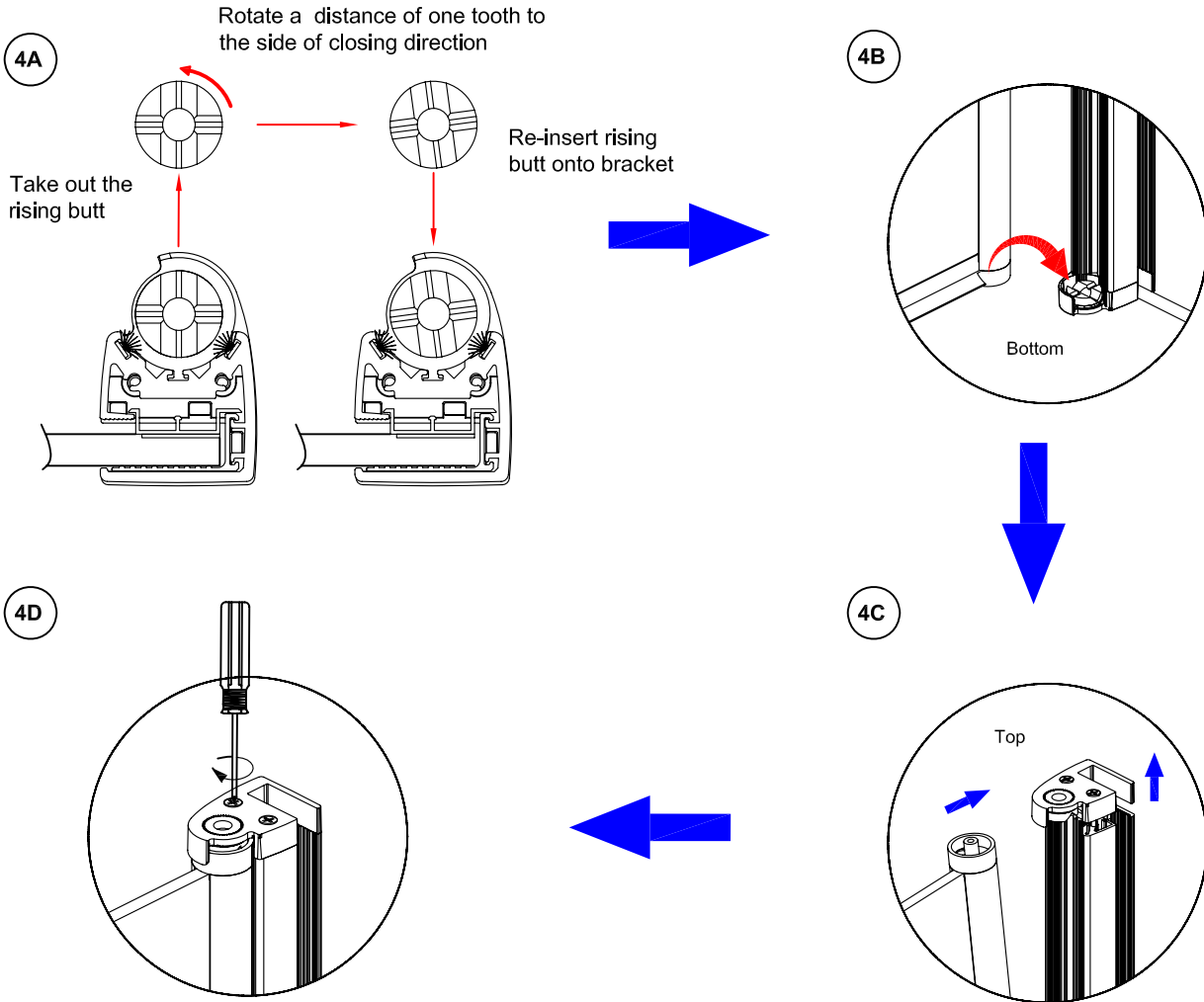
To reset angle remove the post and push out the rising butt from the bottom of the bracket.

4A: Adjust the rising butt to achieve the desired closing angle according to image A.

4B: Insert bottom of the pivot into the adjusted rising butt.

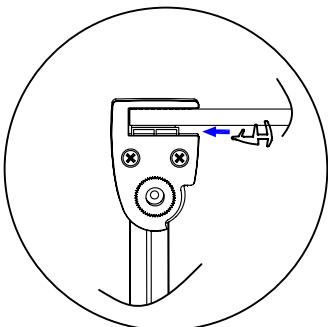
4C: Lift top bracket, push swivel panel to the pivot base profile.

4D: Fit top bracket ensuring screws are fully tightened.



**Step 5.**

Insert the wedge seal equally according to the arrow's direction on the image.



**Step 6.**

Use a quality silicone sealant and applicator gun to seal the finished door.

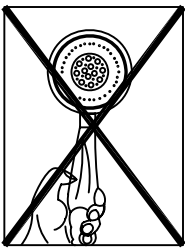
**SEALING INSIDE**

Seal top to bottom on the **INSIDE** between the wall profile and the wall.

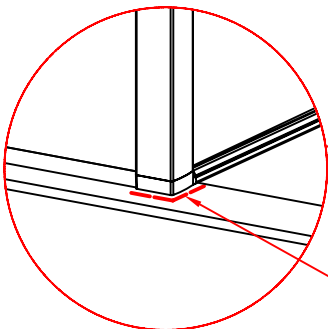
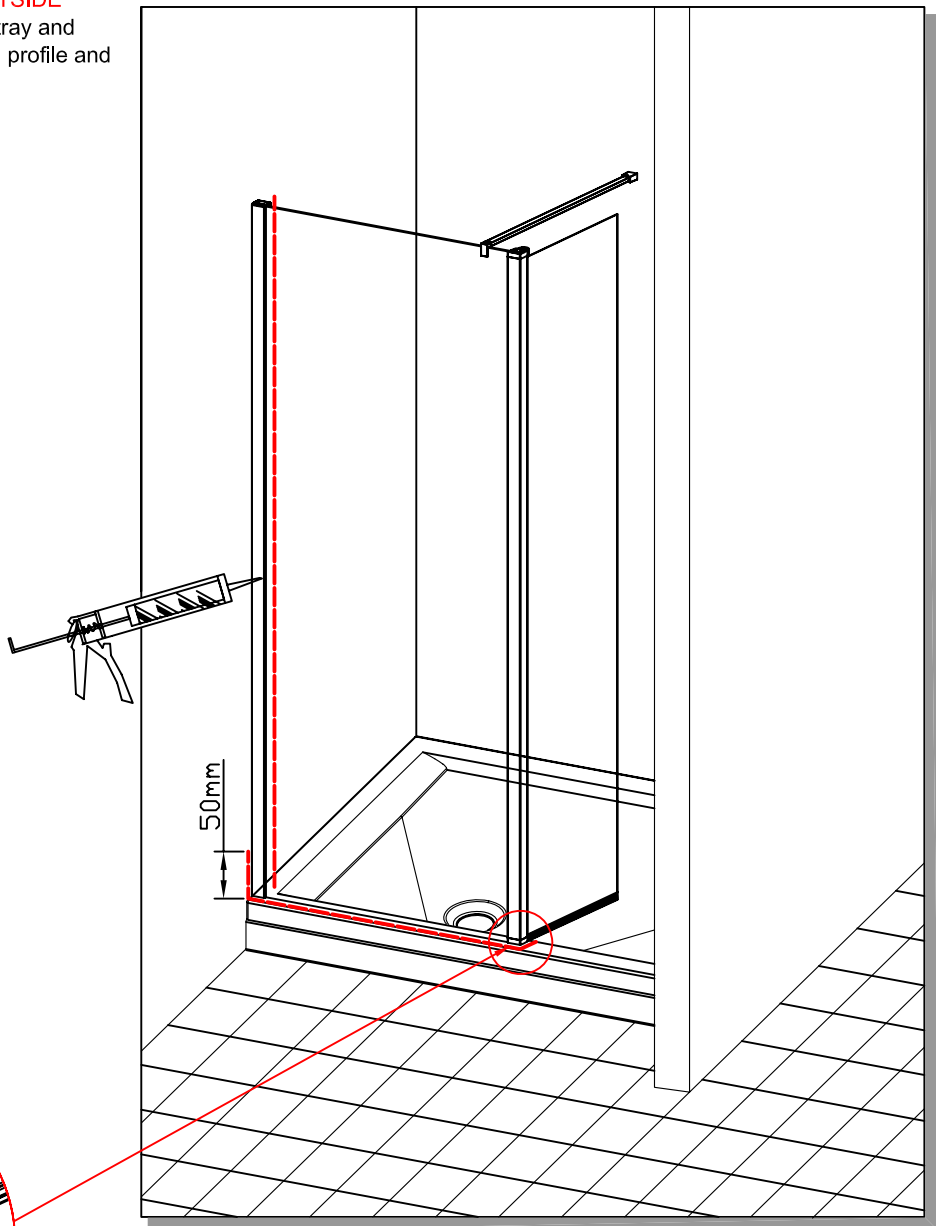
Note: do not apply sealant on the inside of the tray

**SEALING OUTSIDE**

Seal only along bottom on the **OUTSIDE** between glass/rail/profile and the tray and approx 50mm up between the wall profile and the wall.

**24 HRS**

DO NOT use the enclosure for 24 hrs after sealing.



Seal side and front of the bracket where it sits on the tray.