

SPECIFICATION SHEET

COLLECTION: SENSE

PRODUCT CODE: SEN-100M/CC-C/P



DESCRIPTION:

mini mono basin mixer
single lever
deck mounted
smooth bodied
with universal basin waste
with water flow aerator
ceramic cartridge ZOO-100M-CAR
2 x 1/2" x 400mm flexipipe connections
deck mount drill hole diameter 30mm
minimum operating pressure 0.5 bar LP

FINISH:

Chrome

FLOW REGULATOR:

FR-FLEXI/5-PLA

MINIMUM OPERATING PRESSURE:

0.5 bar LP



tel: 01934 744466
email: sales@vado.com
www.vado.com

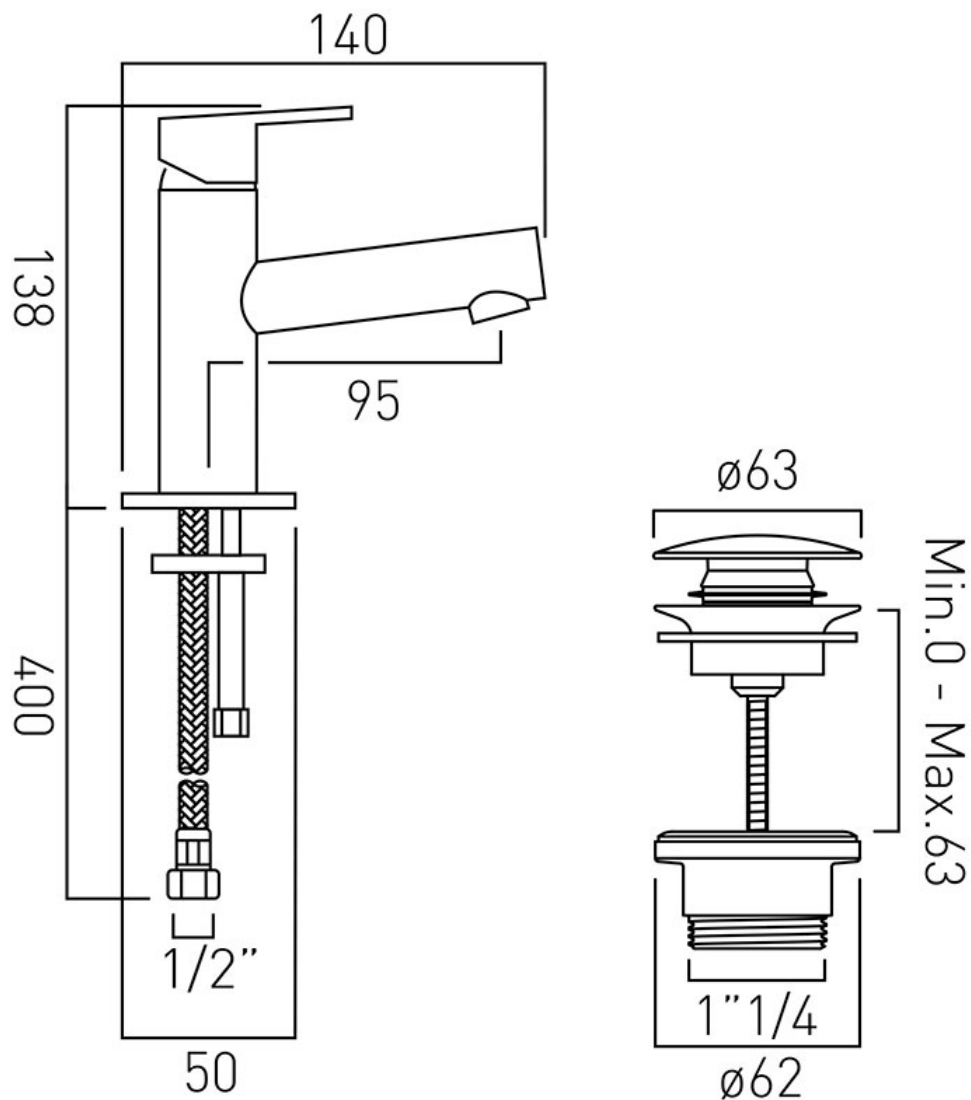
where inspiration flows
taps | showering | accessories



TECHNICAL DRAWING

COLLECTION: SENSE

PRODUCT CODE: SEN-100M/CC-C/P



tel: 01934 744466
email: sales@vado.com
www.vado.com

where inspiration flows
taps | showering | accessories

