

SPECIFICATION SHEET

COLLECTION: SENSE

PRODUCT CODE: SEN-100E/SB-C/P



DESCRIPTION:

extended mono basin mixer
single lever
deck mounted
smooth bodied
without universal basin waste
with water flow aerator
with water flow straightener
ceramic cartridge CAR-K40A
2 x 1/2" nut x 500mm flexipipe connections
deck mount drill hole diameter 35mm
minimum operating pressure 0.2 bar LP

FINISH:

Chrome

FLOW REGULATOR:

FR-100/5-PLA

MINIMUM OPERATING PRESSURE:

0.2 bar LP



tel: 01934 744466
email: sales@vado.com
www.vado.com

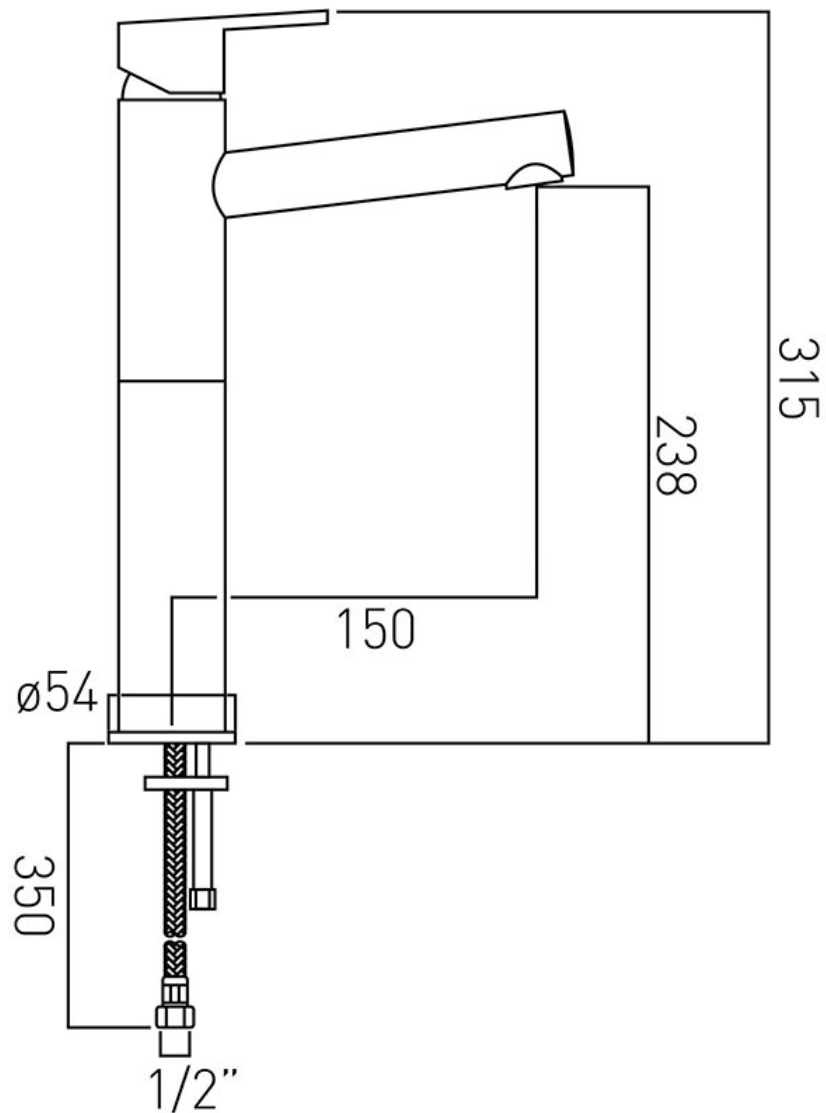
where inspiration flows
taps | showering | accessories



TECHNICAL DRAWING

COLLECTION: SENSE

PRODUCT CODE: SEN-100E/SB-C/P



tel: 01934 744466
email: sales@vado.com
www.vado.com

where inspiration flows
taps | showering | accessories

