

HiB

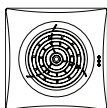
MAKING
BATHROOMS
BEAUTIFUL

SELV Hush & SELV Breeze Wall Mounted Fans



SELV Hush Chrome

Art no. 34600



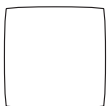
SELV Hush White

Art no. 34500



SELV Breeze Chrome

Art no. 34800



SELV Breeze White

Art no. 34700

Thank you for purchasing this HiB product.

Please read through these instructions carefully and refer back to them during installation to ensure that your product is fitted safely and that it retains its high quality finish.

Please retain this leaflet for future reference.

Before drilling, ensure there are no hidden cables or pipes in the wall.

Suitable for installation in zones: 1,2 & Outside Zones

Please see Fig. 1 on the back page for details

Technical Information

Power input: Breeze & Hush - 230v (must be connected to 12v transformer supplied)

Maximum ventilation volume: Breeze - 77m³/h
Hush - 86m³/h

Power consumption: Breeze - 14w
Hush - 7.5w

Dimensions: Breeze - W152 x H152 x D126mm
Hush - W158 x H158 x D107mm

Fitting

1) Choose a suitable position for your fan according to Figure 1 on the back page. Use a cable finder to check if there are any buried cables or pipes in the wall or ceiling. Draw around the outside of the fan with a pencil to determine its exact position.

2) Make a suitable sized hole in the wall/ceiling with the appropriate tools.

N.B. If wall mounted ensure the hole is angled slightly downward to stop any moisture running back into the motor.
If mounted in the ceiling ensure the hole is between the joists.

3) Fit flexible ducting into the hole, flush with both sides of the wall. Ensure the duct slopes slightly downwards towards the outside. Make good any plasterwork around the duct.

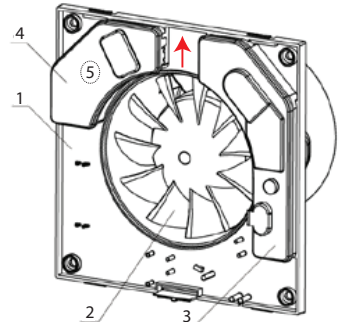
4) Position the fan back into place, and mark the four fixing points. Drill the required holes in the marked positions. If drilling through tile, use a ceramic drill bit. Insert wall plugs into the drilled holes.

5) Follow a similar procedure for the outside wall grille.

6) If ceiling mounted the ducting should be routed to the nearest soffit.

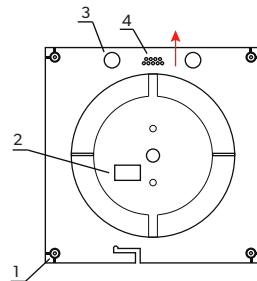
Electrical Connection Hush

Please ensure that the fan unit is positioned in accordance with the diagram below i.e. With the electrical access point (5) top left.



- 1 Casing
- 2 Fan propeller
- 3 Function module
- 4 Protective cover of terminal block
- 5 Electrical access point

Breeze



- 1 Holes for fan mounting (x4)
- 2 Terminal block
- 3 Electrical access points
- 4 Wire fixing rack

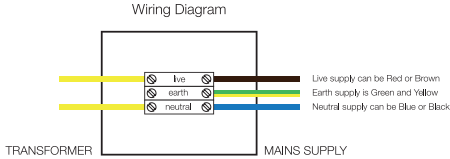
Fascia removal

Hush - Depress plastic nodule on the side of the fascia and gently prise away from the casing.

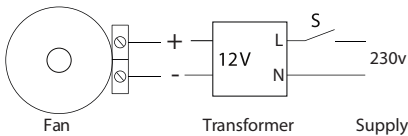
Breeze - In order to remove the fascia for maintenance, please remove the small retaining screw and gently prise the fascia away from the casing.

Electrical Connection

- 1) Ensure the domestic electrical mains supply to which the fan is being connected is turned off. This product is designed to be connected to an on/off switch outside the bathroom, or to a ceiling mounted pull cord switch.
- 2) **Hush Only:** Remove the front panel and protective cover (4). Pass the power wire through the hole in the rubber plug (beneath protective cover) at the fan casing flange.
- 3) **Breeze Only:** Remove the protective grille. Cut out blanking plug of electrical access point (3) and lead the power supply cords through the hole.
- 4) Make the electric connections according to the relevant wiring diagram below.



5. Connect the electrical wiring to the motor according to the diagram below.
 - Switching fan and luminaire on/off together with one switch.



6. Fix the fan to the wall/ceiling using 4 screws.
7. Replace the cover and protective grille.

Ceiling mounted...

For ceiling mounting follow procedure for wall mounting making sure ducting isn't mounted vertically to the outside. This is to ensure moisture doesn't come back into the motor.



Do not
mount vertically

Maintenance

In the event of a fault, please check the in-line fuse located inside the connection box.

Fan maintenance is to be performed only after the fan is disconnected from the mains power supply. Maintenance means periodic clearing of the surfaces from dust and dirt.

In order to remove the fascia for maintenance, please remove the small retaining screw and gently prise the fascia away from the casing. (SELV BREEZE ONLY).



These products are suitable for installation in zones: 1,2 & Outside Zones

All installations must comply with guidelines which are based on a zonal concept. The diagram above illustrates this concept and must be followed to ensure the safe installation of electrical appliances in the bathroom. These regulations apply to domestic installations only. Installations must be made in accordance with the current IEE wiring regulations and relevant building regulations. **HiB recommends that all electrical bathroom products should only be fitted by a suitably qualified, Part P registered electrician.**

Electrical Safety Information

Ensure mains power supply is switched off before starting installation. Before drilling, ensure there are no hidden cables or pipes in the wall.

Care Instructions

All surfaces should be cleaned with diluted detergent (i.e. washing up liquid) and a soft cloth. Do not use abrasives or solvents when cleaning this product. Wipe off all water spillages as soon as possible using a soft, damp cloth.

Aftercare Service

In the unlikely event that this product should fail please contact HiB customer services, details shown below.



WEEE compliance

Must not be mixed with general household waste

T: +44 (0)20 8441 0352 F: +44 (0)20 8441 0219 E: sales@hib.co.uk hib.co.uk

Building 3, North London Business Park, Oakleigh Road South, New Southgate, London. N11 1GN

©HiB Copyright: No part of this document may be reprinted or duplicated without HiB consent. All sizes and measurements are approximate, but we do try and make sure they are as accurate as possible. In the interest of continuous product development, HiB reserves the right to alter specifications as necessary. E & OE.