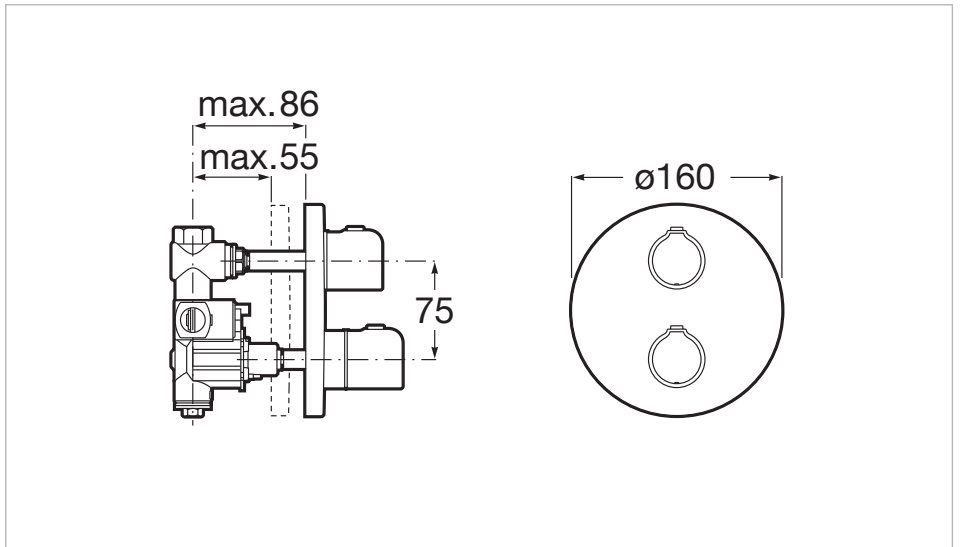




## Built-In Thermostatic Shower Mixer

Application: Bath, Shower  
 Finish: Chrome  
 Installation type: Built-in  
 Number of water inlets: 2

### Technical drawings



A traditional response to classic atmospheres. Elegant and functional curves in an extensive collection of pieces that combine simplicity and versatility, offering the convenience of well-tried solutions.



Designed by  
**Toni Clariana**

MAGMA is an interdisciplinary Barcelona-based practice with a team that includes industrial and graphic designers, project engineers, marketing consultants, advertising and creative professionals, all working together to manage global projects noteworthy for their creative focus.