



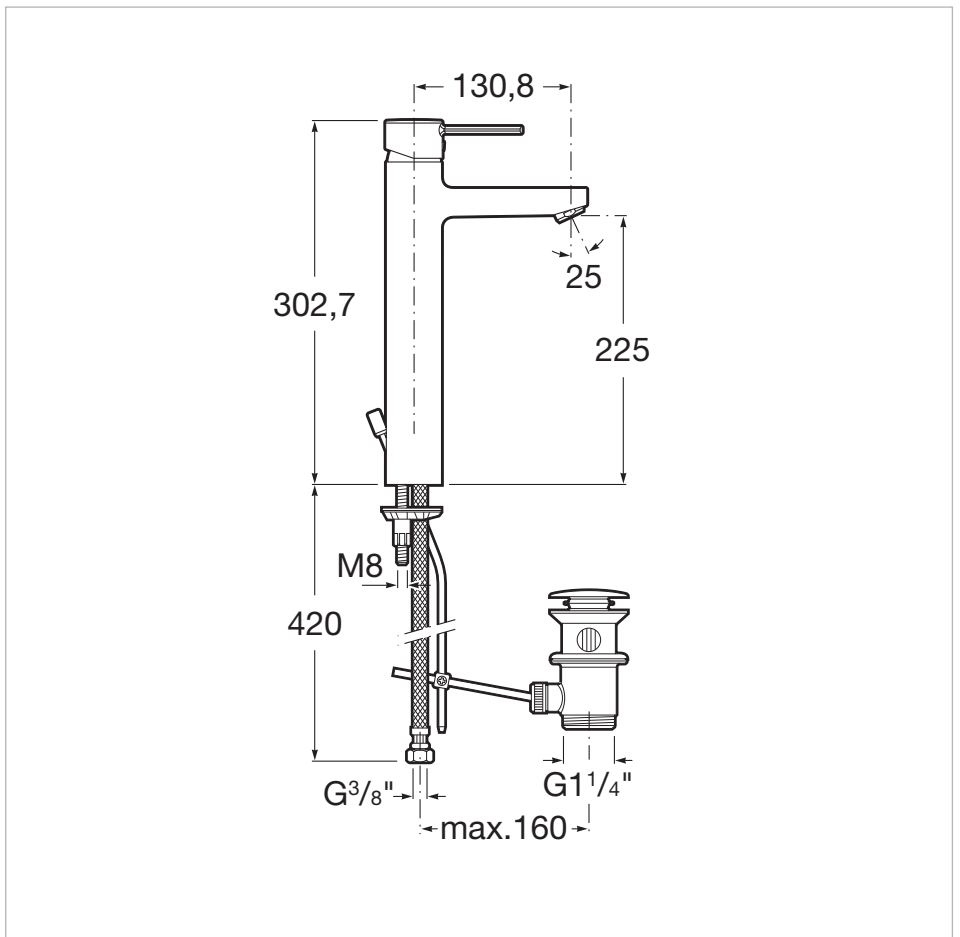
Extended basin mixer with pop-up waste

Aerator type: Integrated
 Application: Basin
 Extended
 Finish: Chrome
 Flexible supply hoses included
 Installation type: Deck-mounted
 Pop-up waste

A proposal that can bring an air of freshness and originality to every corner. Slim and curvaceous, This series' singularity is seductive and its valiant functionality is ever so convincing.



Technical drawings



Designed by
Ramon Benedito

A Barcelona industrial designer with a world-wide reputation – and a worldwide prize-winner. Over the 20 years he has worked with Roca he has employed a design criteria that can be summed up in a single sentence: rigour as a method.