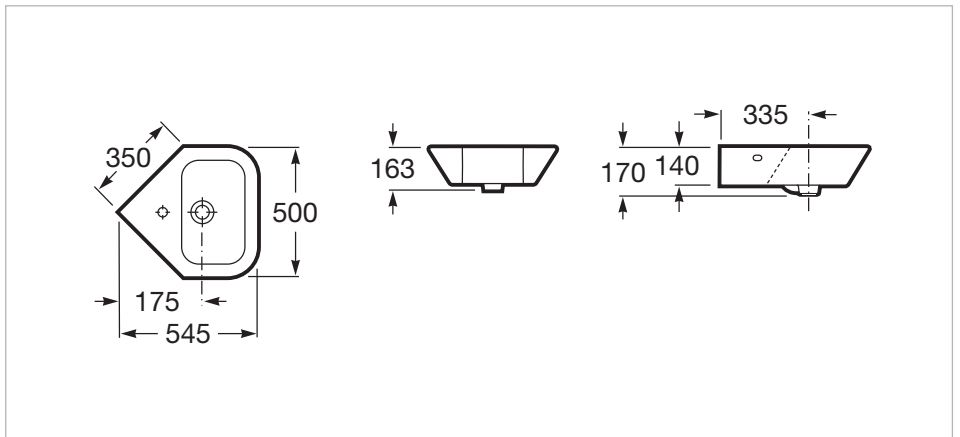




Wall-hung vitreous china basin

Bowl position: Central
 Corner basin
 Installation type: Wall-hung
 Material: Vitreous china
 Taphole configuration: 1 taphole in the middle

Technical drawings



Two ostensibly conflicting objectives, converge in harmony in this collection: aesthetics and economy. Pieces wrought in several dimensions so that they adapt to all spaces. A contemporary and perfectly-proportioned design that blends subtly into all types of spaces.



Designed by **Antonio Bullo**

He has won four gold medals at the Faenza International Ceramic Competition and two Design Plus awards at ISH Frankfurt. For Bullo, the product must be an extension of the company's soul and consistent with the markets in which it is competing.