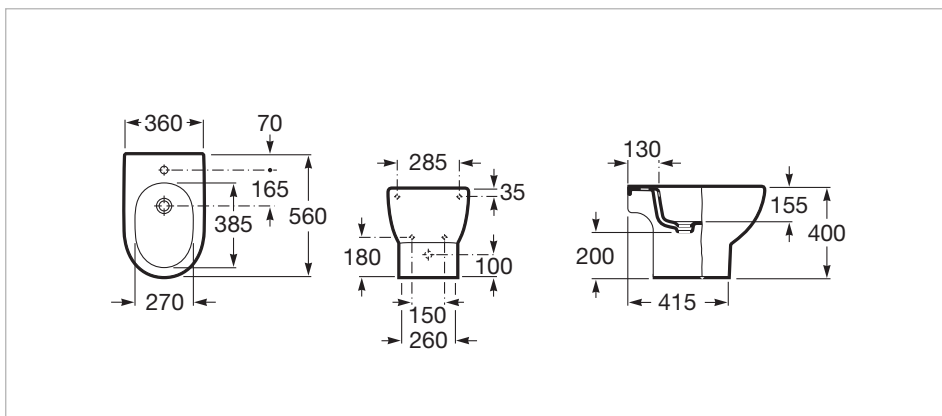




### Vitreous china bidet

Installation type: Floor-standing  
Shape: Round  
Taphole configuration: 1 taphole

### Technical drawings



One single concept for a thousand solutions. One single concept to fulfil any need. The most versatile and global range.

### 1 1/4" trap for bidet

---



Pipework diameter (inches): 1 1/4"

Suitable for: Bidet

Waste type: U-bend

This collection is a design proposal that blends into the bathroom space, where a great deal of thought has been given to the principles of saving, sustainability and integration in the technological conception of each item.