



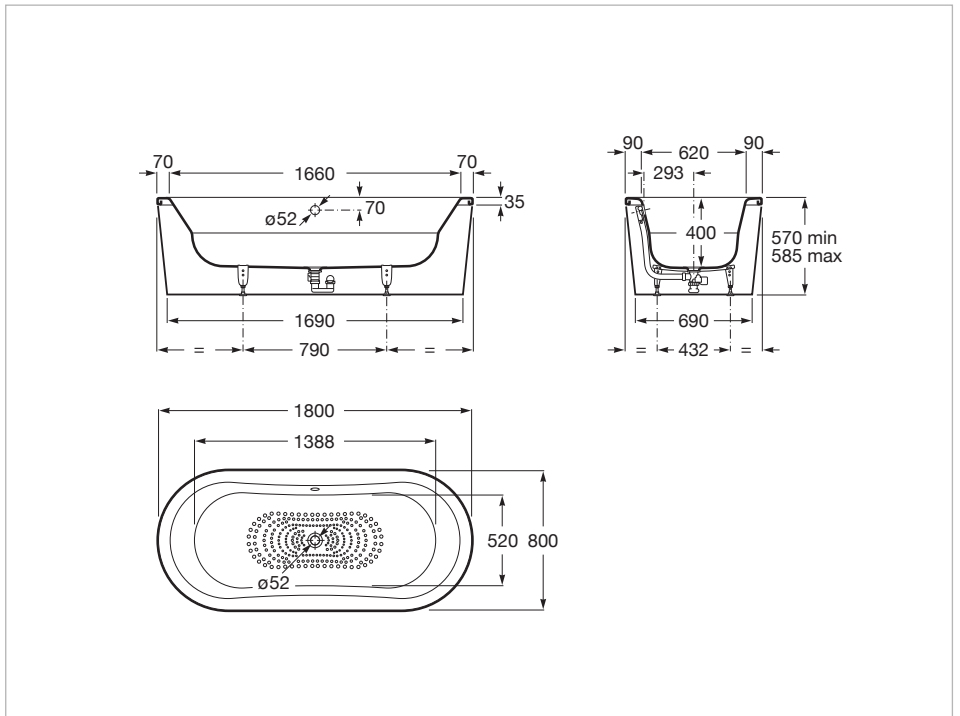
Robustness and style join forces to offer maximum comfort and well-being. This collection has been designed to adapt to any bathroom environment.

Freestanding oval steel bath with anti-slip base (3 mm steel sheet)

- Anti-slip type: **Added**
- Capacity (people): **1**
- Drain: **Included**
- Installation structure: **With feet**
- Installation type: **Freestanding**
- Internal height (mm): **341**
- Internal length (mm): **1660**
- Internal width (mm): **620**
- Material: **Steel**
- Panel included**
- Shape: **Oval**
- Waste diameter (mm): **52**
- Water capacity to overflow (l): **210**
- Weight (Kg): **66**



Technical drawings







Waste for double-ended baths

Cover included

Suitable for: Bath

Trap included

Type of cover: Pop-up

Type of waste: Automatic

Waste diameter (mm): 52

With overflow

A design ideal for complex and virtually impossible spaces that adapts perfectly and faces up to the challenges posed by modern-day interiors to achieve a maximum adaptability whose only contribution is positive, without compromising on design.



Designed by
Ramon Benedito

A Barcelona industrial designer with a world-wide reputation – and a worldwide prize-winner. Over the 20 years he has worked with Roca he has employed a design criteria that can be summed up in a single sentence: rigour as a method.