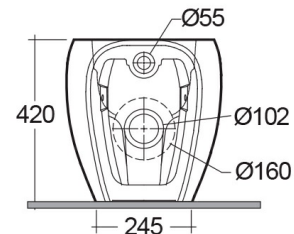
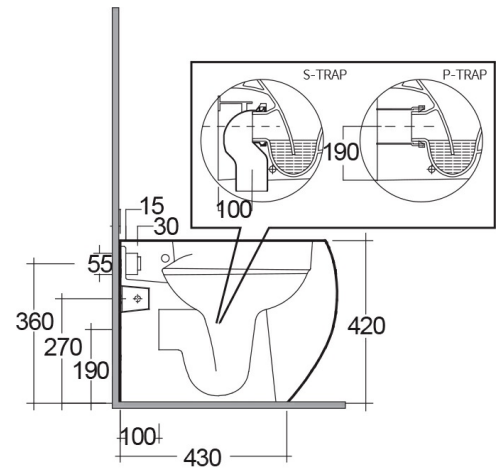
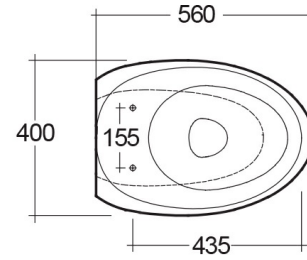


RAK-CLOUD W/HIDDEN FIXATIONS

Back to Wall | Water Closet

RAK
CERAMICS



Technical specifications

Dimensions: 560 x 400 mm

Weight: 30 Kg

Color: Alpine White

Trap type: P Trap & S Trap

Trapway type: Concealed

Seat cover options: ABS & Urea

Bowl shape: Oval

Soft close: yes

Quick remove seat cover: yes

Suites: [RAK-CLOUD](#)

Code	Name
------	------

CLOWC1346AWHA	RAK-CLOUD WATER CLOSET ALPINE WHITE 56CM
---------------	--

Dimensions: All dimensions in mm tolerance $\pm 5\%$ for below 200mm and $\pm 3\%$ for above 200mm.

Note: Due to a continuing development programme to improve design and performance, the manufacturer reserves all rights to vary specifications without prior information.

Please note accessories are for photographic use only.