

SPECIFICATION SHEET

COLLECTION: COMMERCIAL TAPS

PRODUCT CODE: PRO-100P-C/P



DESCRIPTION:

mono basin mixer
TMV3 approved
thermostatic progressive cartridge PRO-001A-WAX
minimum operating pressure 0.2 bar LP

FINISH:

Chrome

FLOW REGULATOR:

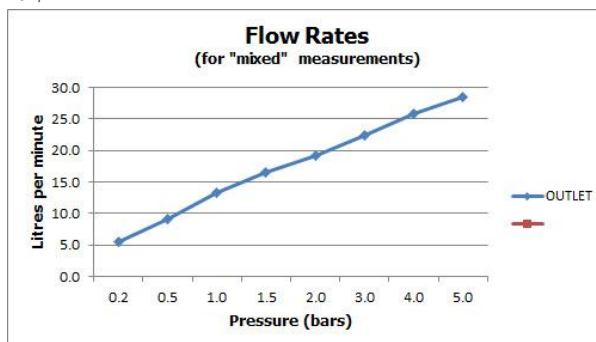
FR-100/5-PLA

MINIMUM OPERATING PRESSURE:

0.2 bar LP

FLOW RATE AT 3.0 BAR FLOW PRESSURE:

23 l/min



tel: 01934 744466
email: sales@vado.com
www.vado.com

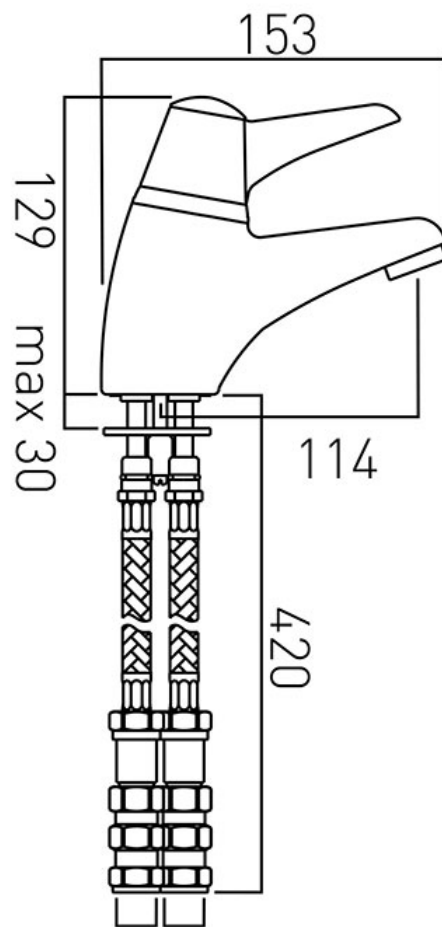
where inspiration flows
taps | showering | accessories



TECHNICAL DRAWING

COLLECTION: COMMERCIAL TAPS

PRODUCT CODE: PRO-100P-C/P



15mm compression
or 1/2" male thread

tel: 01934 744466
email: sales@vado.com
www.vado.com

where inspiration flows
taps | showering | accessories

