

# SPECIFICATION SHEET

**COLLECTION:** PHOTON

**PRODUCT CODE:** PHO-137-C/P



**DESCRIPTION:**

2 hole bath filler  
deck mounted  
cold ceramic cartridge ION-VALVE/CD/CL-3/4  
hot ceramic cartridge ION-VALVE/CD/HT-3/4  
2 x 3/4" fitted tails  
deck mount drill hole diameter 28-30mm  
minimum operating pressure 0.2 bar LP

**FINISH:**

Chrome

**FLOW REGULATOR:**

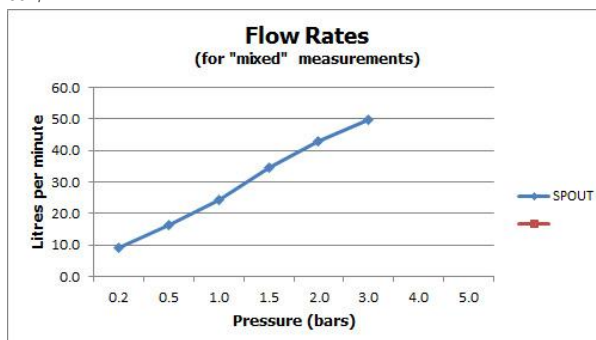
N

**MINIMUM OPERATING PRESSURE:**

0.2 bar LP

**FLOW RATE AT 3.0 BAR FLOW PRESSURE:**

50 l/min



tel: 01934 744466  
email: sales@vado.com  
www.vado.com

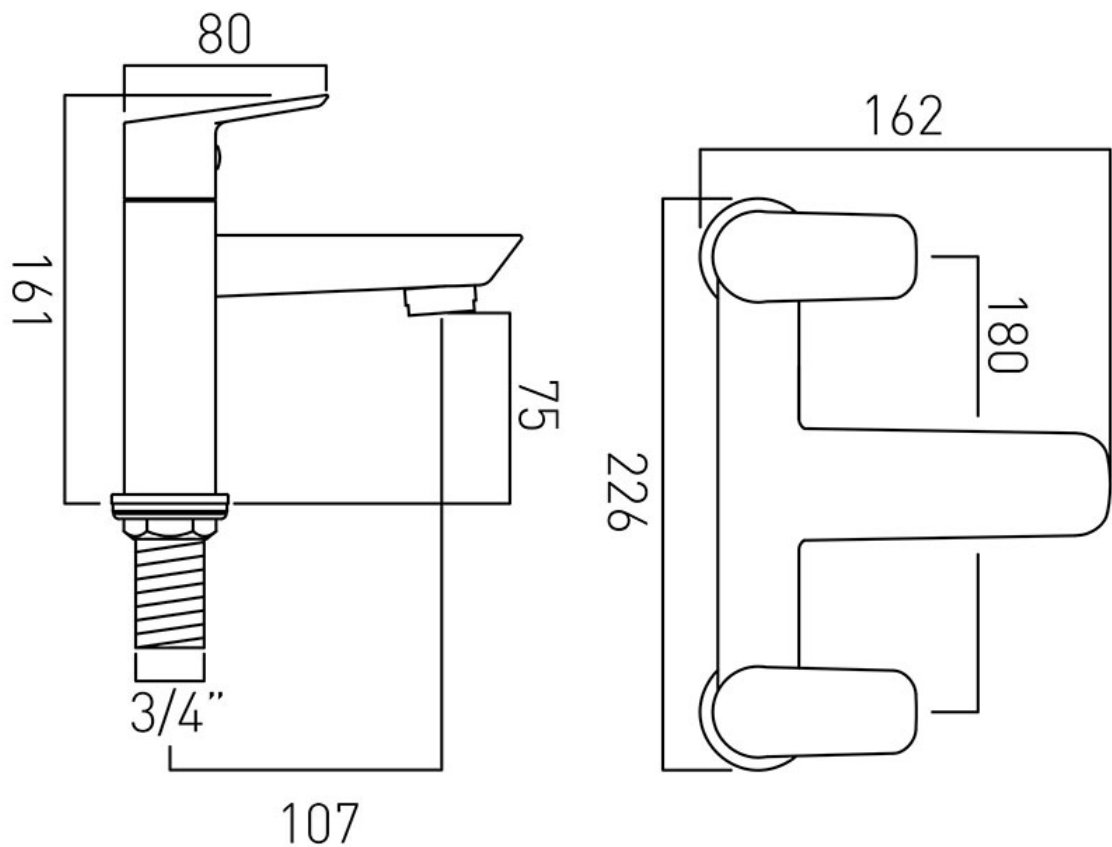
**where inspiration flows**  
taps | showering | accessories



# TECHNICAL DRAWING

**COLLECTION:** PHOTON

**PRODUCT CODE:** PHO-137-C/P



tel: 01934 744466  
email: sales@vado.com  
www.vado.com

**where inspiration flows**  
taps | showering | accessories

