

SPECIFICATION SHEET

COLLECTION: PHOTON

PRODUCT CODE: PHO-130+K-C/P



DESCRIPTION:

2 hole bath shower mixer
deck mounted
with shower kit
cold ceramic cartridge ION-VALVE/CD/CL-3/4
hot ceramic cartridge ION-VALVE/CD/HT-3/4
2 x 3/4" fitted tails
1 x 1/2" shower outlet
deck mount drill hole diameter 28-30mm
minimum operating pressure 0.2 bar LP

FINISH:

Chrome

FLOW REGULATOR:

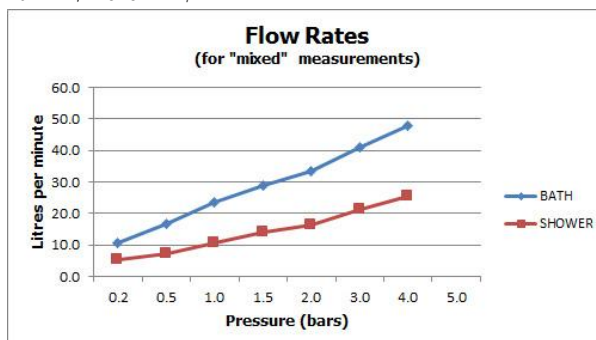
FR-SHOWER/9-C/P

MINIMUM OPERATING PRESSURE:

0.2 bar LP

FLOW RATE AT 3.0 BAR FLOW PRESSURE:

Bath: 41, Shower: 21 l/min



tel: 01934 744466
email: sales@vado.com
www.vado.com

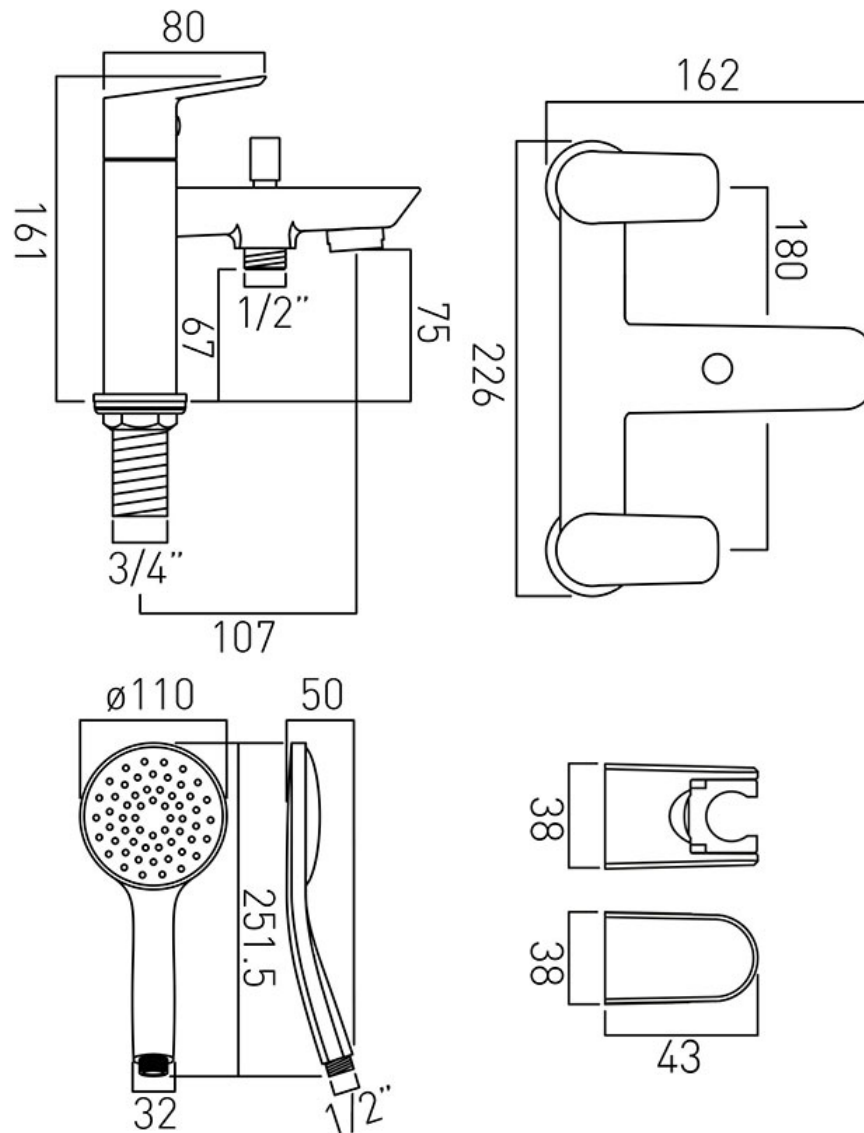
where inspiration flows
taps | showering | accessories



TECHNICAL DRAWING

COLLECTION: PHOTON

PRODUCT CODE: PHO-130+K-C/P



tel: 01934 744466
email: sales@vado.com
www.vado.com

where inspiration flows
taps | showering | accessories

