

---

# SPECIFICATION SHEET

**COLLECTION:** PHASE

**PRODUCT CODE:** PHA-188-C/P



**DESCRIPTION:**

phase toilet brush and holder wall mounted

**FINISH:**

Chrome



tel: 01934 744466  
email: [sales@vado.com](mailto:sales@vado.com)  
[www.vado.com](http://www.vado.com)

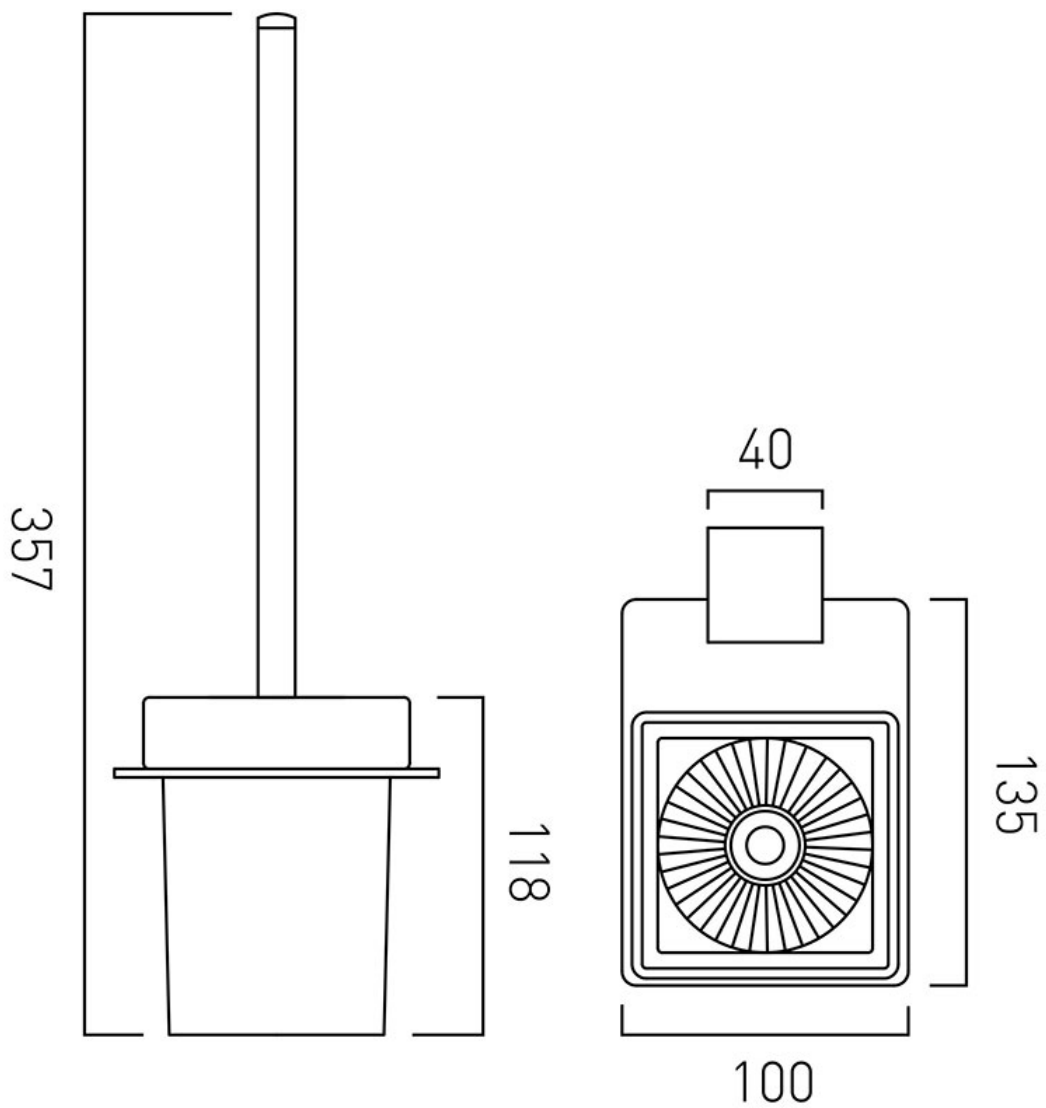
**where inspiration flows**  
taps | showering | accessories



# TECHNICAL DRAWING

**COLLECTION:** PHASE

**PRODUCT CODE:** PHA-188-C/P



tel: 01934 744466  
email: sales@vado.com  
www.vado.com

**where inspiration flows**  
taps | showering | accessories

