

SPECIFICATION SHEET

COLLECTION: PHASE

PRODUCT CODE: PHA-145A-C/P



DESCRIPTION:

concealed shower valve
single lever
wall mounted
ceramic cartridge CAR-K35A
2 x 1/2" inlets
2 x 1/2" outlets (one is blanked off)
min-max wall mount 40-65mm
minimum operating pressure 0.2 bar LP shower / 1.5 bar MP bath

FINISH:

Chrome

FLOW REGULATOR:

N

MINIMUM OPERATING PRESSURE:

0.2 bar LP (shower) 1.5 bar MP (bath)



tel: 01934 744466
email: sales@vado.com
www.vado.com

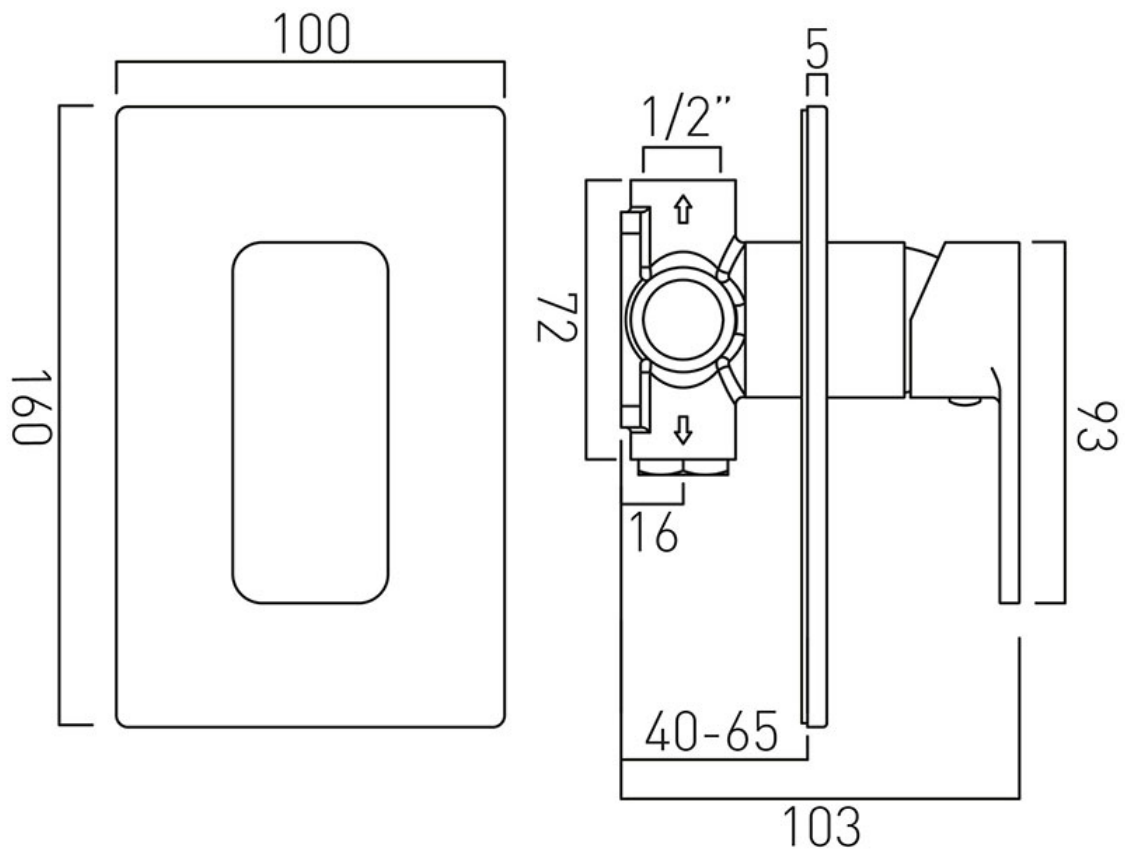
where inspiration flows
taps | showering | accessories



TECHNICAL DRAWING

COLLECTION: PHASE

PRODUCT CODE: PHA-145A-C/P



tel: 01934 744466
email: sales@vado.com
www.vado.com

where inspiration flows
taps | showering | accessories

