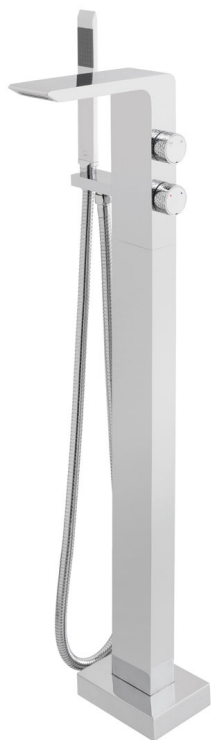


SPECIFICATION SHEET

COLLECTION: OMIKA

PRODUCT CODE: OMI-133-C/P



DESCRIPTION:

bath shower mixer
floor mounted
with shower kit
1/4 turn ceramic mix cartridge FL-601-33Q
ceramic diverter cartridge F-803-33/2X
2 x 1/2" female inlets
clearance 850mm from floor to spout
minimum operating pressure 1.0 bar MP

FINISH:

Chrome

FLOW REGULATOR:

Optional (FR-FLEXI/8-PLA)

MINIMUM OPERATING PRESSURE:

1.0 bar MP

FLOW RATE AT 3.0 BAR FLOW PRESSURE:

Bath 30 l/min, shower 14 l/min



tel: 01934 744466
email: sales@vado.com
www.vado.com

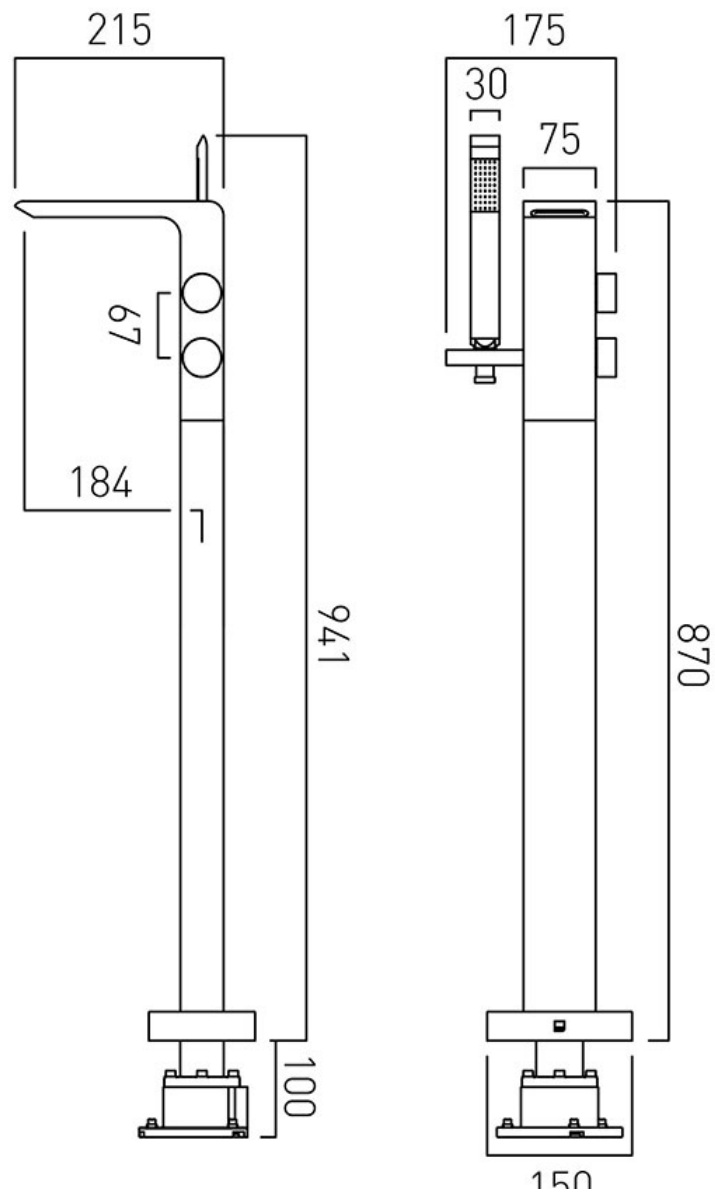
where inspiration flows
taps | showering | accessories



TECHNICAL DRAWING

COLLECTION: OMIKA

PRODUCT CODE: OMI-133-C/P



tel: 01934 744466
email: sales@vado.com
www.vado.com

where inspiration flows
taps | showering | accessories

