

SPECIFICATION SHEET

COLLECTION: OMIKA

PRODUCT CODE: OMI-100E/SB-C/P



DESCRIPTION:

extended mono basin mixer
deck mounted
smooth bodied
without universal basin waste
water flow aerator
1/4 turn ceramic disk valves
2 x F-401-RTC
2 x 1/2" x 400mm flexipipe connections
deck mount drill hole diameter 35mm
minimum operating pressure 1.0 bar MP

FINISH:

Chrome

FLOW REGULATOR:

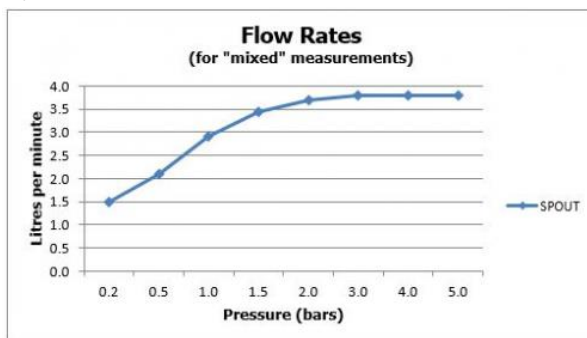
fitted as standard

MINIMUM OPERATING PRESSURE:

1.0 bar MP

FLOW RATE AT 3.0 BAR FLOW PRESSURE:

4 l/min



tel: 01934 744466
email: sales@vado.com
www.vado.com

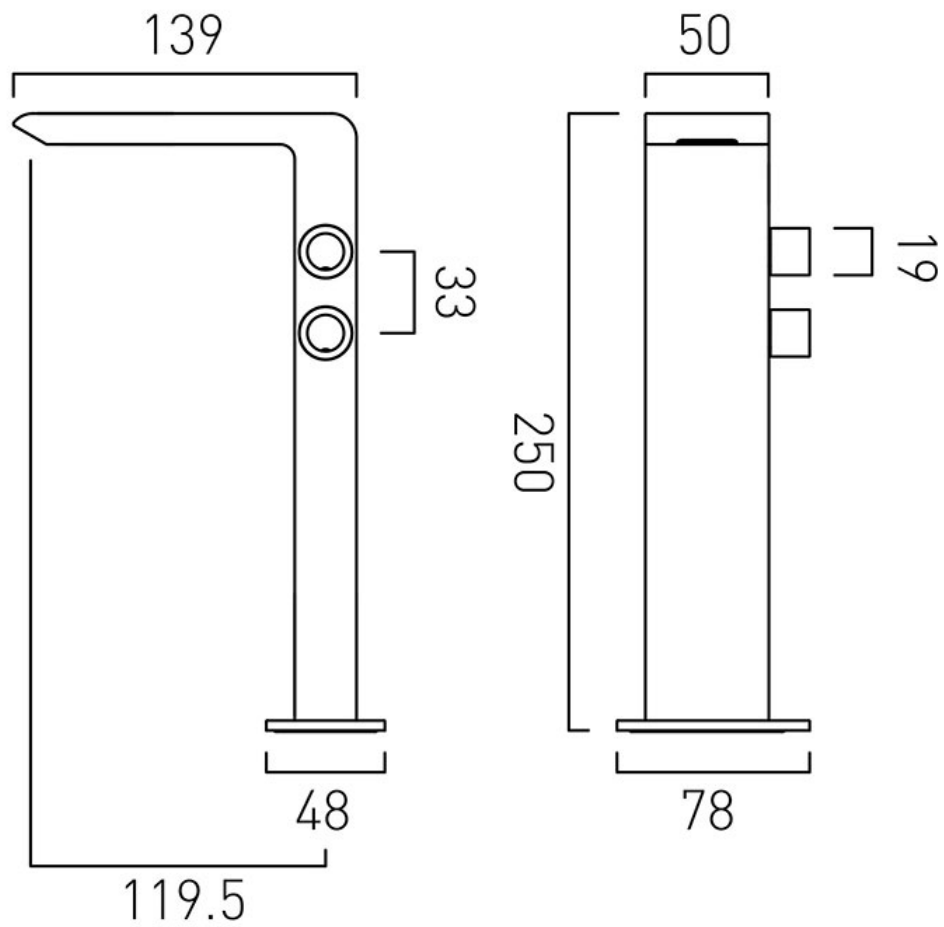
where inspiration flows
taps | showering | accessories



TECHNICAL DRAWING

COLLECTION: OMIKA

PRODUCT CODE: OMI-100E/SB-C/P



tel: 01934 744466
email: sales@vado.com
www.vado.com

where inspiration flows
taps | showering | accessories

