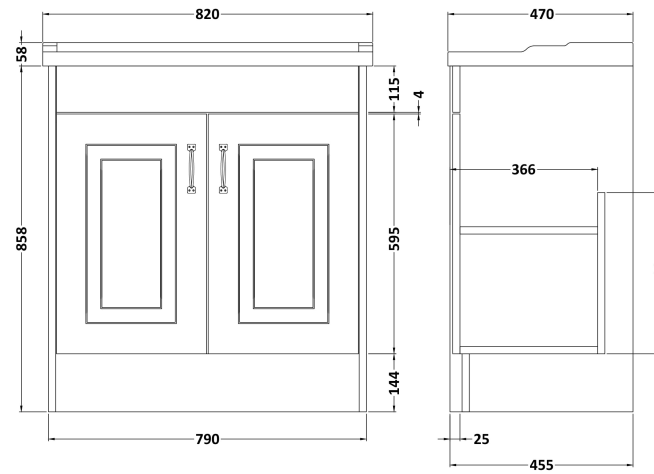


Sales Code: YOR105

Description: York 800mm 2 Door Basin And Cab

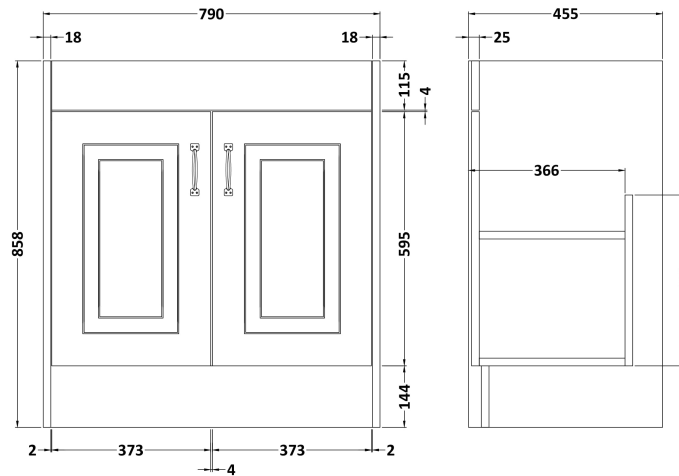


Packaging Details

Barcode: 5055275888964

Sales Code: OLF105

Description: 800 2-Door Floor Standing Unit



Product Dimensions

| | |
|-------------------|------|
| Height (mm): | 858 |
| Width (mm): | 790 |
| Depth (mm): | 455 |
| Nett Weight (kg): | 29.5 |

Packaging Dimensions

| | |
|--------------------|------|
| Height (mm): | 895 |
| Width (mm): | 810 |
| Depth (mm): | 480 |
| Gross Weight (kg): | 29.5 |

Packaging Data

| | |
|---------------|---------------------|
| Box Colour: | Brown Cardboard Box |
| Box Qty: | 1 |
| Label Size: | 100 x 50 |
| Label Colour: | White Label |
| Label Qty: | 2 |

Outer Box Dimensions (If Applicable)

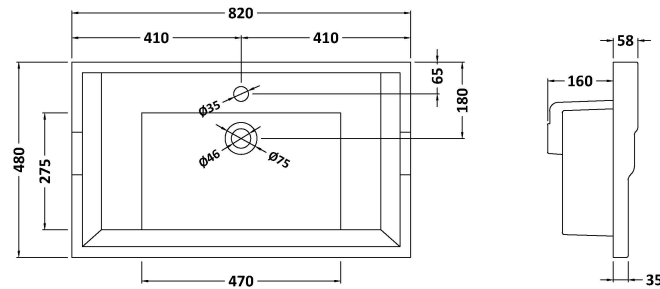
| | |
|--------------------|---------------|
| Height (mm): | |
| Width (mm): | |
| Depth (mm): | |
| Gross Weight (kg): | |
| Barcode: | 5055275812839 |

Product Details

| | |
|-------------------------|------------------------------|
| Country of Origin: | United Kingdom |
| Fitting Instruction: | No |
| Certification: | FSC: Yes CE: N/A |
| Colour: | White Ash |
| Construction Method: | Cam & Wood Dowel |
| Construction Type: | Rigid |
| Cabinet Finish: | MFC Textured Woodgrain |
| Fascia Finish: | Mdf Vinyl Textured Woodgrain |
| Cabinet Thickness (mm): | 18 |
| Fascia Thickness (mm): | 18 |
| Drawer Included: | No |
| Drawer Type: | Not Applicable |
| No of Shelves: | 1 |
| Hinge Type: | 110 Degree Inset Clip-On S/C |
| Hinge Included: | Yes |
| Adjustable Legs: | No |
| Fixings Included: | No |
| Handle Style: | Traditional |
| Handle Included: | Yes |
| Waste Shroud: | No |
| Handle Type: | Strap |

Sales Code: NLV005

Description: 800mm Traditional Basin 1 Th



Product Dimensions

| | |
|-------------------|------|
| Height (mm): | 210 |
| Width (mm): | 820 |
| Depth (mm): | 480 |
| Nett Weight (kg): | 17.1 |

Packaging Dimensions

| | |
|--------------------|------|
| Height (mm): | 260 |
| Width (mm): | 840 |
| Depth (mm): | 500 |
| Gross Weight (kg): | 18.8 |

Packaging Data

| | |
|---------------|-------------------------------|
| Box Colour: | Brown Cardboard Box - Printed |
| Box Qty: | 1 |
| Label Size: | 100 x 50 |
| Label Colour: | White Label |
| Label Qty: | 2 |

Outer Box Dimensions (If Applicable)

| | |
|--------------------|---------------|
| Height (mm): | |
| Width (mm): | |
| Depth (mm): | |
| Gross Weight (kg): | |
| Barcode: | 5055369043408 |

Product Details

| | |
|----------------------|--------------------------------|
| Country of Origin: | China |
| Fitting Instruction: | No |
| Certification: | CE: N/A WRAS: N/A WRAS No: N/A |
| Product Material: | Vitreous China |
| Fixing Supplied: | No |

Pans/Bidets: Trap Style: Not Applicable Includes Seat: Not Applicable

Seats: Seat Type: Not Applicable Material: Not Applicable
Function: Not Applicable Hinge Type: Not Applicable
Hinge Material: Not Applicable

Cisterns: Operating Type: Not Applicable Fittings: Not Applicable
Lever Type: Not Applicable

Basins: Tap Hole: Three Tapholes Chain Stay Hole: No
Template: Not Required Waste Type Req: Slotted
Overflow Inc: Yes Overflow Cover: Yes
Inner Bowl Depth (mm): 140mm