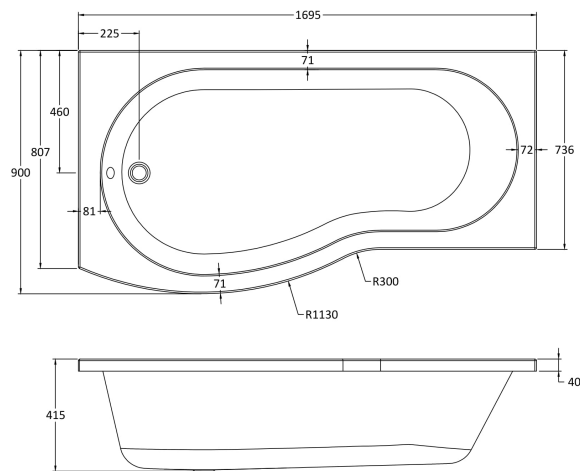


Sales Code: WBB1785L

Description: Left Hand Curved Bath 1700mm

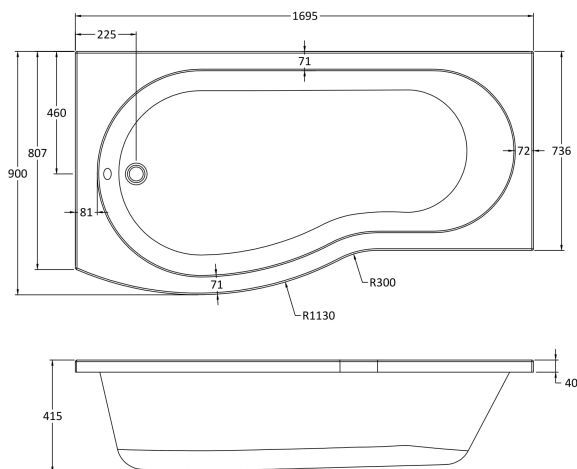
### Packaging Details

Barcode: 5056211822356



**Sales Code:** WBB101

**Description:** 1700 B Shaped Shower Bath L/H



**Product Dimensions**

Length (mm):	1695
Width (mm):	900
Depth (mm):	415
Nett Weight (kg):	18.75

**Packaging Dimensions**

Length (mm):	1700
Width (mm):	900
Depth (mm):	415
Gross Weight (kg):	19

**Packaging Data**

Box Colour:	Brown Cardboard Sleeve
Box Qty:	1
Label Size:	300 x 35
Label Colour:	White Label
Label Qty:	2

**Outer Box Dimensions (If Applicable)**

Length (mm):	
Width (mm):	
Height (mm):	
Gross Weight (kg):	
Barcode:	5055275821152

**Product Details**

Country of Origin:	United Kingdom
Fitting Instruction:	No
Certification:	FSC: CE: Yes
Material Colour Reference:	European White
Product Material:	Acrylic
Material Thickness:	4mm
Volume (Ltr):	240L
Displaced Capacity:	170L
Leg Set Included:	Legset Not Included
Waste Included:	Waste Not Included
Drilled/Undrilled:	Undrilled For Taps
Includes Grips:	No Grips Supplied
Embossed:	No
No of Tapholes:	None
Anti-Slip:	No

