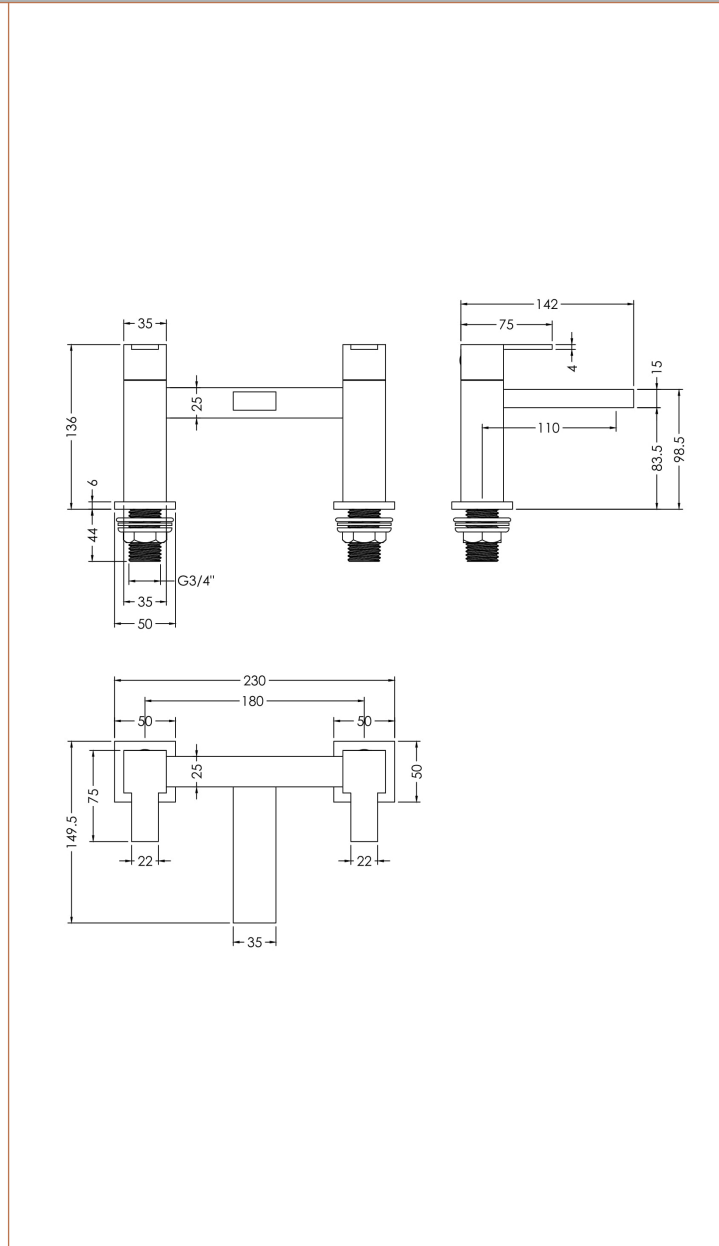


Sales Code: SAN303

Description: Sanford D/M Bath Filler



Product Dimensions

Height (mm):	136
Width (mm):	230
Depth (mm):	142
Length (mm):	
Nett Weight (kg):	1.96

Packaging Dimensions

Height (mm):	185
Width (mm):	190
Depth (mm):	270
Gross Weight (kg):	1.96

Packaging Data

Box Colour:	White Cardboard Box
Box Qty:	1
Label Size:	100 x 50
Label Colour:	White Label
Label Qty:	1

Outer Box Dimensions (If Applicable)

Height (mm):	560
Width (mm):	540
Depth (mm):	530
Length (mm):	
Gross Weight (kg):	
Barcode:	5056211897989

Product Details

Country of Origin:	China
Fitting Instruction:	Yes
Product Material:	Brass
Control Type:	Manual
Waste Included:	Waste Not Included
Waste Type:	Not Applicable
WRAS Approval: No	Approval No: N/A
Valve/Cartridge Type:	1/4 Turn Ceramic Disc
Colour/Finish:	Chrome
Mount Type:	Deck
Operating Pressure (bar):	2
Flow Rates: (Litres Per Min)	0.1 bar: 3.6 0.5 bar: 9.4 1 bar: 13.7 2 bar: 19.7 3 bar: 23.7
Pipe Size:	3/4"
Pipe Centres:	180