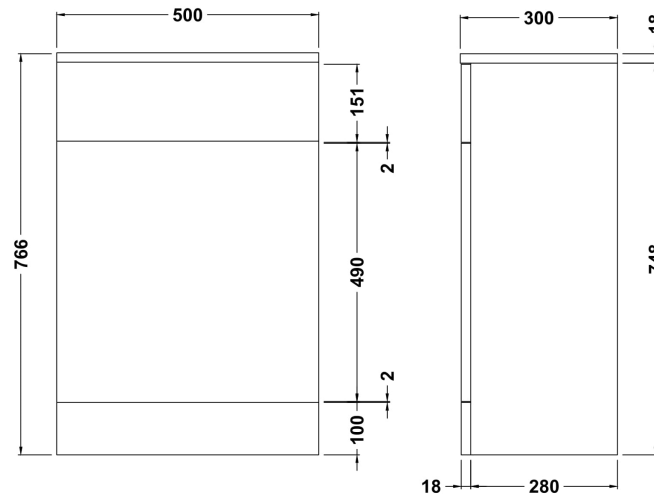


Sales Code: PRC141

Description: 500X300 Pr W.C. Unit



Product Dimensions

Height (mm):	766
Width (mm):	500
Depth (mm):	300
Nett Weight (kg):	15.72

Packaging Dimensions

Height (mm):	325
Width (mm):	525
Depth (mm):	810
Gross Weight (kg):	15.72

Packaging Data

Box Colour:	Brown Cardboard Box - Printed
Box Qty:	1
Label Size:	100 x 50
Label Colour:	Not Applicable
Label Qty:	0

Outer Box Dimensions (If Applicable)

Height (mm):	
Width (mm):	
Depth (mm):	
Gross Weight (kg):	
Barcode:	5055275830055

Product Details

Country of Origin:	China
Fitting Instruction:	Yes
Certification:	FSC: Yes CE: N/A
Colour:	Gloss White
Construction Method:	Cam & Wood Dowel
Construction Type:	Rigid
Cabinet Finish:	MFC Painted Gloss
Fascia Finish:	Mdf Painted Gloss
Cabinet Thickness (mm):	16
Fascia Thickness (mm):	18
Drawer Included:	No
Drawer Type:	Not Applicable
No of Shelves:	0
Hinge Type:	Not Applicable
Hinge Included:	No
Adjustable Legs:	No
Fixings Included:	No
Handle Style:	Not Applicable
Handle Included:	No
Waste Shroud:	No
Handle Type:	Not Applicable