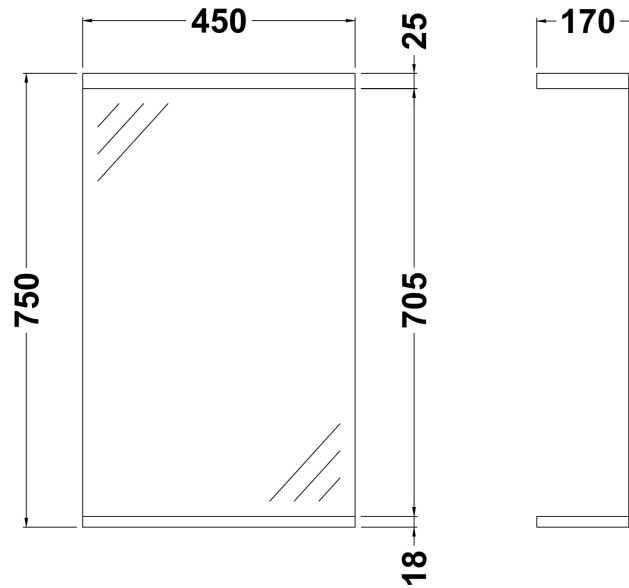


Sales Code: PRC111

Description: 450 Pr Mirror W/ 1 Light



Product Dimensions

Height (mm):	750
Width (mm):	450
Depth (mm):	170
Nett Weight (kg):	11.06

Packaging Dimensions

Height (mm):	70
Width (mm):	475
Depth (mm):	745
Gross Weight (kg):	11.06

Packaging Data

Box Colour:	Brown Cardboard Box - Printed
Box Qty:	1
Label Size:	100 x 50
Label Colour:	Not Applicable
Label Qty:	0

Outer Box Dimensions (If Applicable)

Height (mm):	
Width (mm):	
Depth (mm):	
Gross Weight (kg):	
Barcode:	5055369058419

Product Details

Country of Origin:	China
Fitting Instruction:	Yes
Certification:	FSC: CE: No
Colour:	Gloss White
Construction Method:	Cam & Wood Dowel
Construction Type:	Flat-Pack
Cabinet Finish:	MFC Painted Gloss
Fascia Finish:	Mdf Painted Gloss
Cabinet Thickness (mm):	
Fascia Thickness (mm):	18
Drawer Included:	No
Drawer Type:	Not Applicable
No of Shelves:	0
Hinge Type:	Not Applicable
Hinge Included:	No
Adjustable Legs:	No, Not Required
Fixings Included:	Yes
Handle Style:	Not Applicable
Handle Included:	No, Not Required
Waste Shroud:	Not Applicable
Handle Type:	Not Applicable