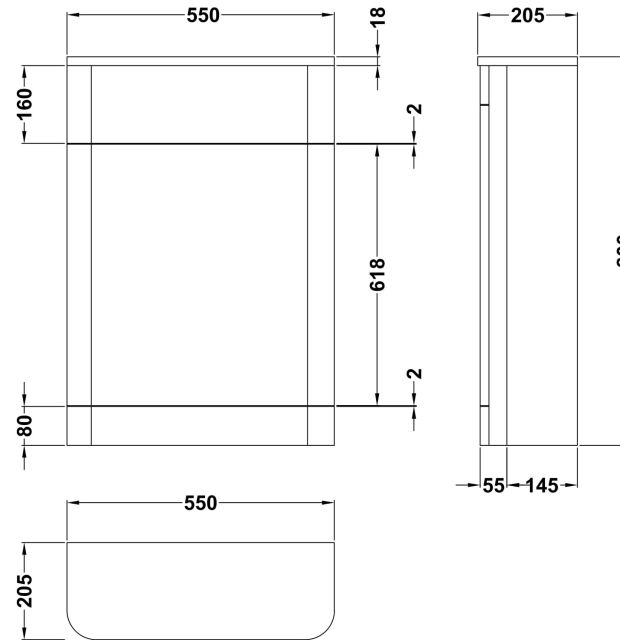


Sales Code: PMP141

Description: 550 W.C. Unit (800X550x200)



### Product Dimensions

Height (mm):	800
Width (mm):	550
Depth (mm):	205
Nett Weight (kg):	16

### Packaging Dimensions

Height (mm):	230
Width (mm):	590
Depth (mm):	880
Gross Weight (kg):	16

### Packaging Data

Box Colour:	Brown Cardboard Box - Printed	
Box Qty:	1	
Label Size:	100 x 50	
Label Colour:	White Label	
Label Qty:	2	

### Outer Box Dimensions (If Applicable)

Height (mm):	
Width (mm):	
Depth (mm):	
Gross Weight (kg):	
Barcode:	5055275811504

### Product Details

Country of Origin:	China	
Fitting Instruction:	Yes	
Certification:	FSC: Yes	CE: N/A
Colour:	Gloss White	
Construction Method:	Cam & Wood Dowel	
Construction Type:	Rigid	
Cabinet Finish:	MFC Smooth Matt	
Fascia Finish:	Mdf Painted Gloss	
Cabinet Thickness (mm):	18	
Fascia Thickness (mm):	18	
Drawer Included:	No	
Drawer Type:	Not Applicable	
No of Shelves:	0	
Hinge Type:	Not Applicable	
Hinge Included:	No	
Adjustable Legs:	No	
Fixings Included:	No	
Handle Style:	Not Applicable	
Handle Included:	No	
Waste Shroud:	No	
Handle Type:	Not Applicable	