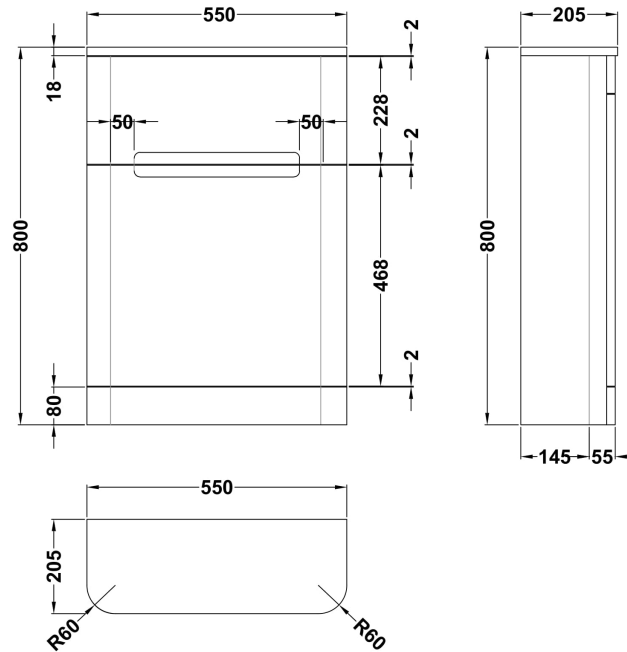


Sales Code: PAR141

Description: 550 W.C Unit



Product Dimensions

| | |
|-------------------|------|
| Height (mm): | 800 |
| Width (mm): | 550 |
| Depth (mm): | 205 |
| Nett Weight (kg): | 15.5 |

Packaging Dimensions

| | |
|--------------------|-----|
| Height (mm): | 880 |
| Width (mm): | 590 |
| Depth (mm): | 230 |
| Gross Weight (kg): | 16 |

Packaging Data

| | | |
|---------------|-------------------------------|--|
| Box Colour: | Brown Cardboard Box - Printed | |
| Box Qty: | 1 | |
| Label Size: | 100 x 50 | |
| Label Colour: | White Label | |
| Label Qty: | 2 | |

Outer Box Dimensions (If Applicable)

| | |
|--------------------|---------------|
| Height (mm): | |
| Width (mm): | |
| Depth (mm): | |
| Gross Weight (kg): | |
| Barcode: | 5056211888062 |

Product Details

| | | |
|-------------------------|------------------|---------|
| Country of Origin: | China | |
| Fitting Instruction: | Yes | |
| Certification: | FSC: Yes | CE: N/A |
| Colour: | Satin White | |
| Construction Method: | Cam & Wood Dowel | |
| Construction Type: | Rigid | |
| Cabinet Finish: | MFC Painted Matt | |
| Fascia Finish: | Mdf Painted Matt | |
| Cabinet Thickness (mm): | 18 | |
| Fascia Thickness (mm): | 18 | |
| Drawer Included: | No | |
| Drawer Type: | Not Applicable | |
| No of Shelves: | 0 | |
| Hinge Type: | Not Applicable | |
| Hinge Included: | No | |
| Adjustable Legs: | No | |
| Fixings Included: | Yes | |
| Handle Style: | Not Applicable | |
| Handle Included: | No | |
| Waste Shroud: | No | |
| Handle Type: | Not Applicable | |