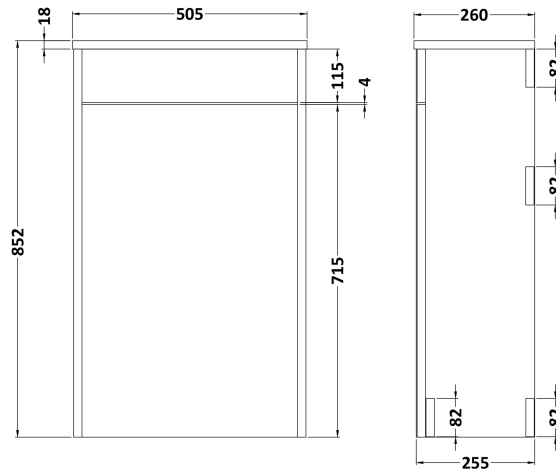


Sales Code: OLF241

Description: 500 W.C. Unit



### Product Dimensions

Height (mm):	852
Width (mm):	505
Depth (mm):	260
Nett Weight (kg):	16

### Packaging Dimensions

Height (mm):	280
Width (mm):	520
Depth (mm):	895
Gross Weight (kg):	16

### Packaging Data

Box Colour:	Brown Cardboard Box
Box Qty:	1
Label Size:	100 x 50
Label Colour:	White Label
Label Qty:	2

### Outer Box Dimensions (If Applicable)

Height (mm):	
Width (mm):	
Depth (mm):	
Gross Weight (kg):	
Barcode:	5055275812938

### Product Details

Country of Origin:	United Kingdom
Fitting Instruction:	Yes
Certification:	FSC: Yes CE: N/A
Colour:	Stone Grey
Construction Method:	Cam & Wood Dowel
Construction Type:	Rigid
Cabinet Finish:	MFC Textured Woodgrain
Fascia Finish:	Mdf Vinyl Textured Woodgrain
Cabinet Thickness (mm):	18
Fascia Thickness (mm):	18
Drawer Included:	No
Drawer Type:	Not Applicable
No of Shelves:	0
Hinge Type:	Not Applicable
Hinge Included:	No
Adjustable Legs:	No
Fixings Included:	No
Handle Style:	Not Applicable
Handle Included:	No
Waste Shroud:	No
Handle Type:	Not Applicable