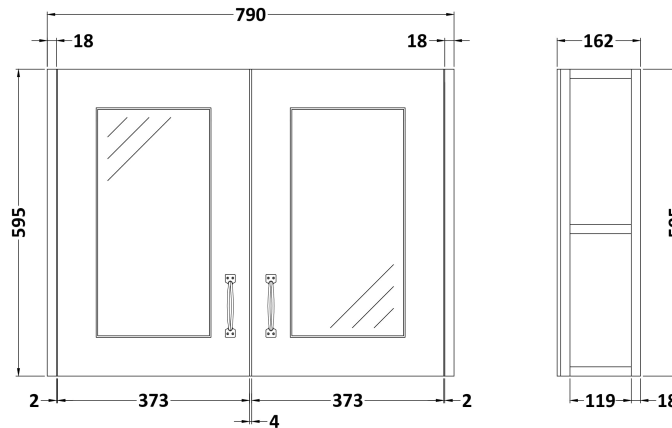


Sales Code: OLF215

Description: 800 2-Door Mirror Unit



### Product Dimensions

|                   |       |
|-------------------|-------|
| Height (mm):      | 595   |
| Width (mm):       | 790   |
| Depth (mm):       | 162   |
| Nett Weight (kg): | 18.02 |

### Packaging Dimensions

|                    |       |
|--------------------|-------|
| Height (mm):       | 640   |
| Width (mm):        | 810   |
| Depth (mm):        | 180   |
| Gross Weight (kg): | 19.09 |

### Packaging Data

|               |                     |
|---------------|---------------------|
| Box Colour:   | Brown Cardboard Box |
| Box Qty:      | 1                   |
| Label Size:   | 100 x 50            |
| Label Colour: | White Label         |
| Label Qty:    | 2                   |

### Outer Box Dimensions (If Applicable)

|                    |               |
|--------------------|---------------|
| Height (mm):       |               |
| Width (mm):        |               |
| Depth (mm):        |               |
| Gross Weight (kg): |               |
| Barcode:           | 5055275812907 |

### Product Details

|                         |                              |
|-------------------------|------------------------------|
| Country of Origin:      | United Kingdom               |
| Fitting Instruction:    | Yes                          |
| Certification:          | FSC: Yes CE: Yes             |
| Colour:                 | Stone Grey                   |
| Construction Method:    | Cam & Wood Dowel             |
| Construction Type:      | Rigid                        |
| Cabinet Finish:         | MFC Textured Woodgrain       |
| Fascia Finish:          | Mdf Vinyl Textured Woodgrain |
| Cabinet Thickness (mm): | 18                           |
| Fascia Thickness (mm):  | 18                           |
| Drawer Included:        | No                           |
| Drawer Type:            | Not Applicable               |
| No of Shelves:          | 1                            |
| Hinge Type:             | 110 Degree Inset Clip-On S/C |
| Hinge Included:         | Yes                          |
| Adjustable Legs:        | No                           |
| Fixings Included:       | No                           |
| Handle Style:           | Traditional                  |
| Handle Included:        | Yes                          |
| Waste Shroud:           | No                           |
| Handle Type:            | Strap                        |