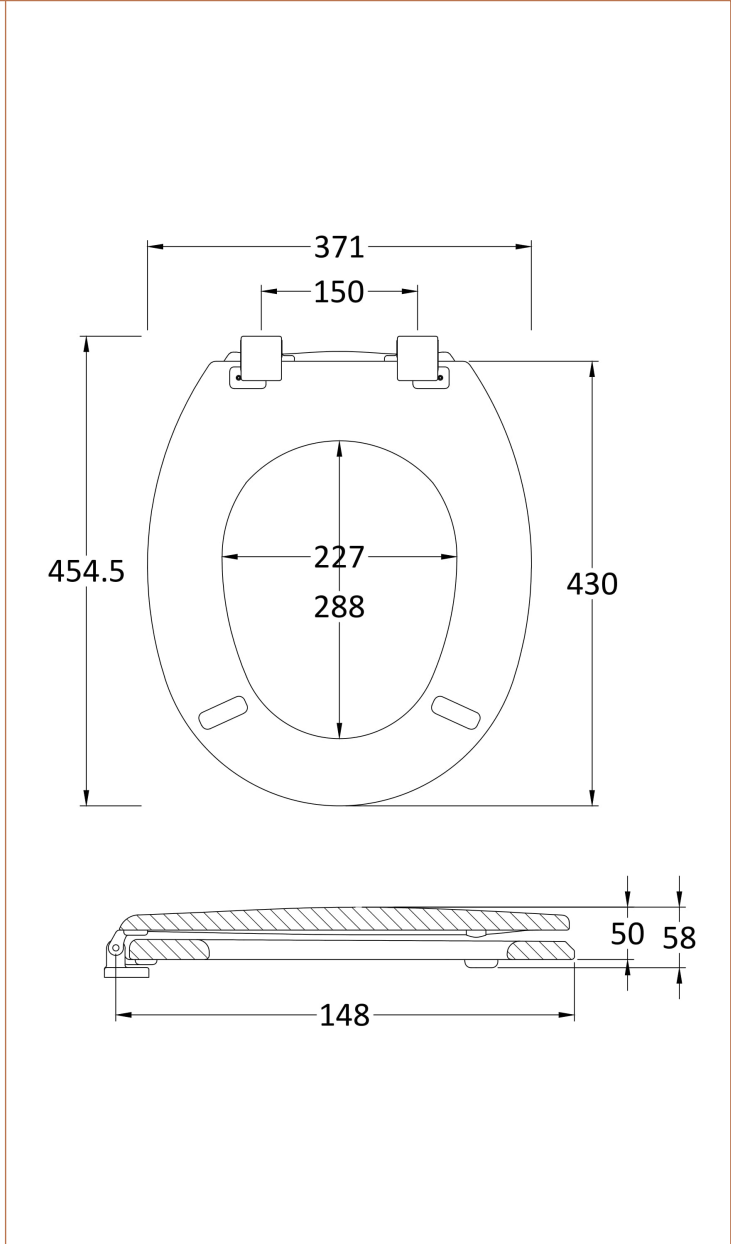


**Sales Code:** NTS302

**Description:** Trad Round Toilet Seat Chrome Hinges



**Product Dimensions**

|                   |     |
|-------------------|-----|
| Length (mm):      | 455 |
| Width (mm):       | 371 |
| Height (mm):      | 58  |
| Nett Weight (kg): | 3   |

**Packaging Dimensions**

|                    |     |
|--------------------|-----|
| Length (mm):       | 375 |
| Width (mm):        | 70  |
| Height (mm):       | 470 |
| Gross Weight (kg): | 3   |

**Packaging Data**

|               |                               |
|---------------|-------------------------------|
| Box Colour:   | White Cardboard Box - Printed |
| Box Qty:      | 1                             |
| Label Size:   | 100 x 50                      |
| Label Colour: | White Label                   |
| Label Qty:    | 1                             |

**Outer Box Dimensions (If Applicable)**

|                    |               |
|--------------------|---------------|
| Length (mm):       | 440           |
| Width (mm):        | 385           |
| Height (mm):       | 490           |
| Gross Weight (kg): | 20            |
| Barcode:           | 5012799971053 |

**Product Details**

|                      |                |
|----------------------|----------------|
| Country of Origin:   | United Kingdom |
| Fitting Instruction: | No             |
| CE Certification:    | Yes            |
| Product Material:    | Moulded Wood   |
| Seat Type:           | Round          |
| Seat Function:       | Standard       |
| Hinge Centres (Min): | 145            |
| Hinge Centres (Max): | 165            |
| Hinge Material:      | Zinc Alloy     |
| Colour/Finish:       | White          |
| Fixing Method:       | Bottom Fix     |