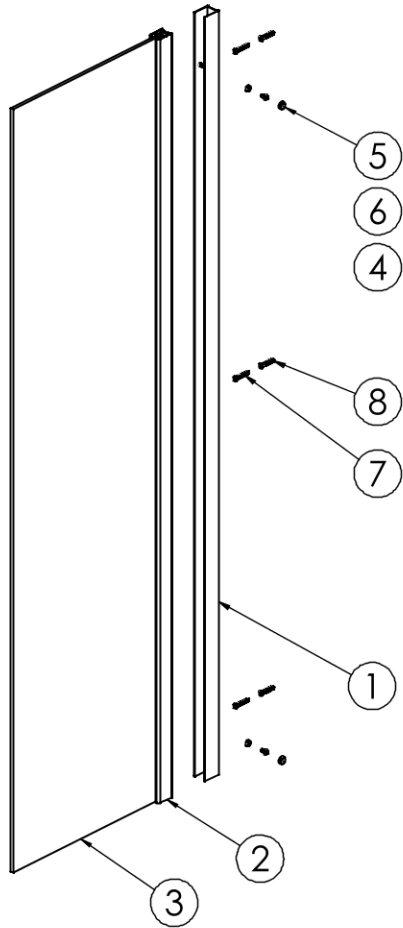


# FIXED BATH SCREEN



UNPACK THE BOX AND ENSURE ALL COMPONENTS ARE PRESENT.

NO REFUNDS OR REFITTING COST WILL BE GIVEN IF INCOMPLETE OR DAMAGED GOODS ARE FITTED.

THE TOUGHENED SAFETY GLASS SHOULD BE HANDLED WITH CARE AS IMPACTS WILL DAMAGE THE GLASS OR SCREEN.

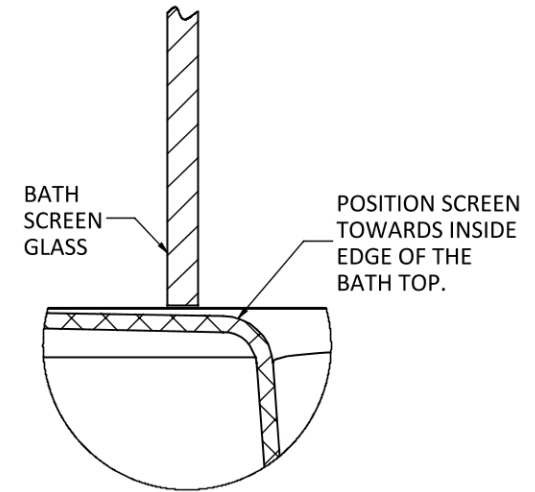
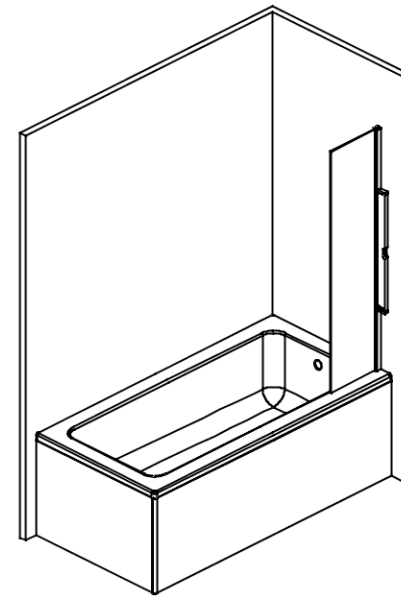
FIT THE BATH AS PER THE MANUFACTURER'S INSTRUCTIONS.

**TOOLS REQUIRED:**

POWER DRILL - 3mm DRILL BIT - 6mm MASONRY DRILL BIT - CROSS HEAD SCREW DRIVER - TAPE MEASURE - PENCIL - SILICONE GUN WITH SANITARY GRADE SEALANT - SPIRIT LEVEL.

ITEM NO.	PART NUMBER	Notes	QTY
1	WALL PROFILE		1
2	INSERT PROFILE		1
3	FIXED GLASS PANEL		1
4	SCREW CUP		3
5	SCREW CUP COVER		3
6	3.9mm x 10 PAN HD SELF TAPPER ST.STL		3
7	3.9mm x 30 PAN HD SELF TAPPER ST.STL	FOR FIXING TO WALL	3
8	WALL PLUG		3

1

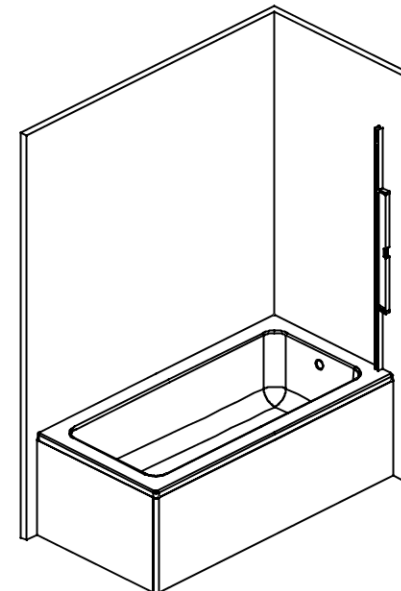


PLACE YOUR BATH SCREEN ONTO YOUR BATH ENSURING THAT THE SCREEN IS TO THE INSIDE OF THE BATH LEDGE AS SHOWN IN THE DETAILED VIEW ABOVE. USE A SPIRIT LEVEL.

(ENSURE THE WALL PROFILE HAS BEEN SLID ONTO THE INSERT PROFILE AND GLASS ASSEMBLY BEFORE POSITIONING).

MARK THE POSITION OF YOUR WALL PROFILE WITH A PENCIL AND REMOVE.

2



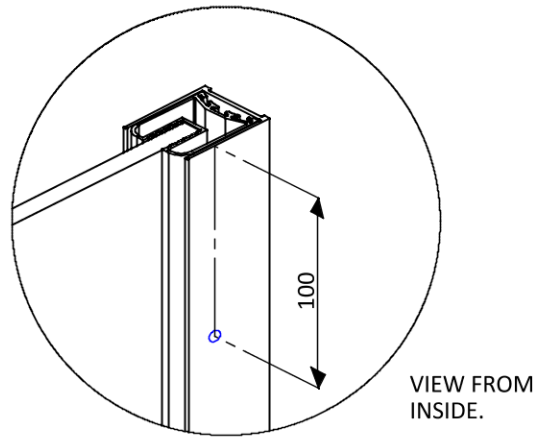
REPOSITION THE WALL PROFILE WHERE MARKED.

USE A SPIRIT LEVEL TO ENSURE TRUE AND SQUARE.

MARK THROUGH THE FIXING HOLES WITH A PENCIL. REMOVE PROFILES, DRILL AND PLUG THE WALL (ITEM 8).

FIX WALL PROFILE IN PLACE USING SUITABLE FIXING FOR THE WALL YOU'RE FIXING TO. THE SUPPLIED FITTINGS MAY NEED TO BE SUBSTITUTED.

3



REPOSITION THE INSERT PROFILE AND GLASS ASSEMBLY ONTO THE WALL PROFILE.

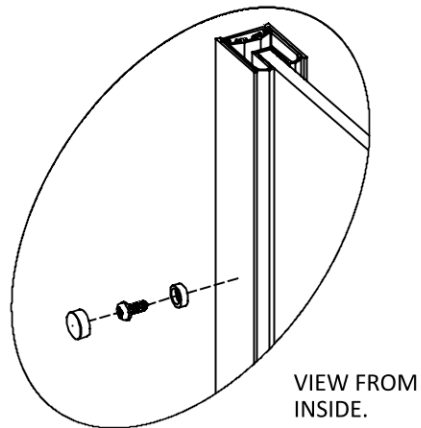
FROM THE INSIDE OF THE BATH SCREEN MAKE A PENCIL MARK ON THE WALL PROFILE APPROXIMATELY 100mm FROM THE TOP AND BOTTOM.

**NOTE:** WHEN MARKING THE HOLE POSITION ENSURE THAT THE 3mm HOLE DRILLED WILL GO THROUGH BOTH THE WALL PROFILE AND INSERT PROFILE FIRST FACE, WITH AT LEAST 3mm OF MATERIAL AROUND THE HOLE.

USE A 3mm DRILL BIT TO DRILL THE FIXING HOLES.

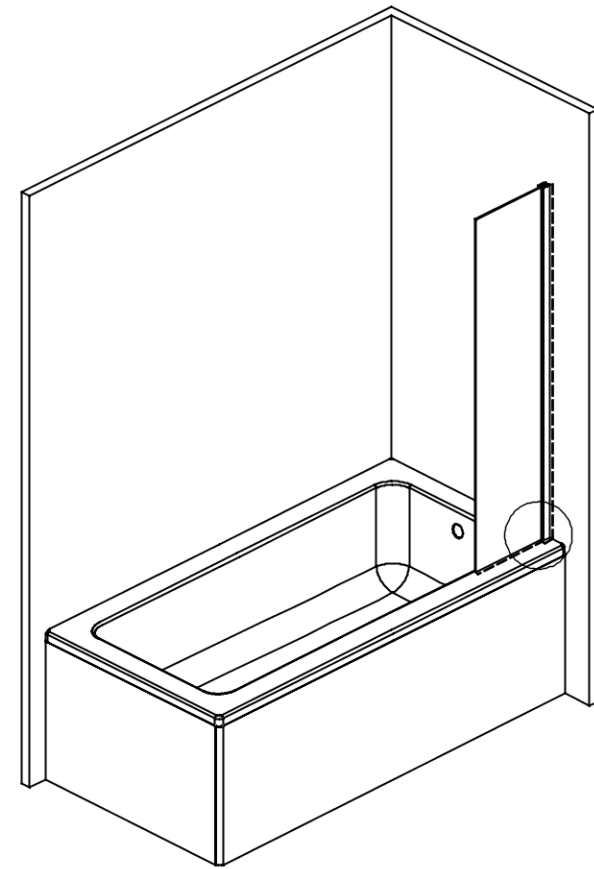
**DO NOT DRILL THROUGH THE OUTSIDE FACE OF THE WALL PROFILE OR THE GLASS.**

4



ONCE YOU HAVE MARKED THE POSITION FOR FIXING AND DRILLED THE PROFILE, USE ITEMS 4, 5 & 6 TO FIX THE PROFILE IN PLACE.

5

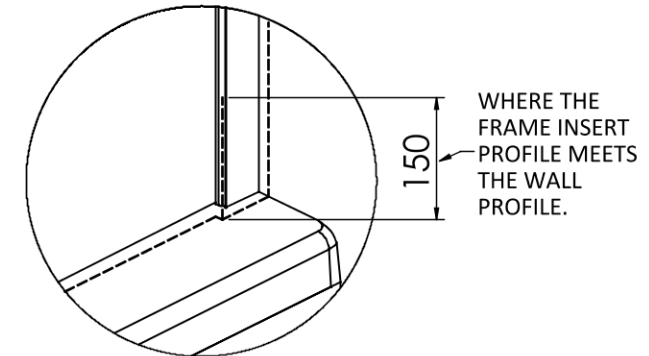


EXTERNALLY SILICONE SEAL THE WALL PROFILE WHERE IT MEETS THE WALL AND ALONG THE BOTTOM WHERE IT MEETS THE BATH. ALL IN A CONTINUOUS BEAD.

ALSO SILICONE SEAL 150mm HIGH WHERE THE INSERT PROFILE AND WALL PROFILE MEET. AS SHOWN IN DETAILED VIEW ACROSS.

DO NOT SILICONE INSIDE THE SCREEN.

ALLOW 24 HOURS TO FULLY CURE.



**AFTERCARE** - ENSURE YOU CLEAN YOUR PRODUCT USING A MILD DETERGENT DILUTED IN WATER, REMOVING ANY RESIDUE WITH A SOFT DAMP CLOTH.

**MAINTENANCE** - THE SCREEN MUST BE FREE FROM ANY DEBRIS OR SOAP BUILD UP.