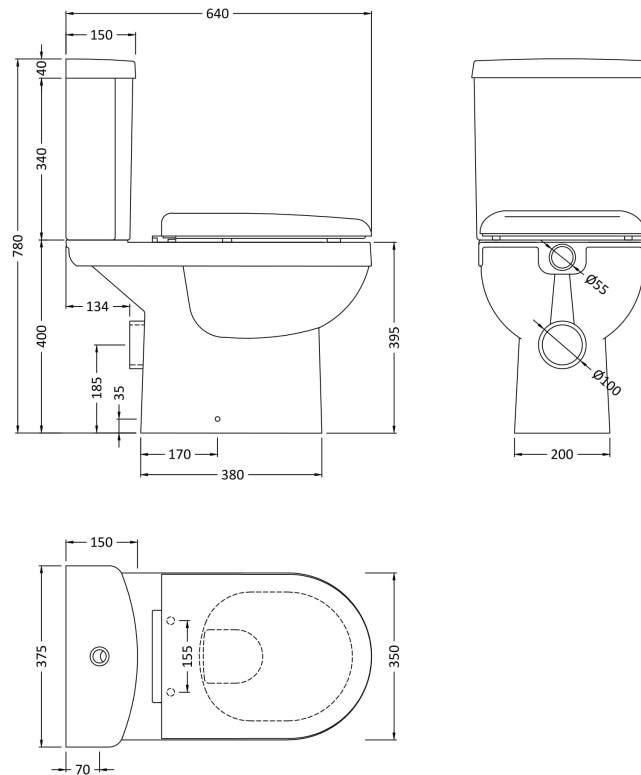


Sales Code: NCS250

Description: Ivo Pan Pack (With Seat)



**Product Dimensions**

Height (mm):	780
Width (mm):	375
Depth (mm):	640
Nett Weight (kg):	33.35

**Packaging Dimensions**

Height (mm):	445
Width (mm):	390
Depth (mm):	725
Gross Weight (kg):	33.85

**Packaging Data**

Box Colour:	Brown Cardboard Box - Printed
Box Qty:	1
Label Size:	100 x 50
Label Colour:	White Label
Label Qty:	2

**Outer Box Dimensions (If Applicable)**

Height (mm):	
Width (mm):	
Depth (mm):	
Gross Weight (kg):	
Barcode:	5060272822774

**Product Details**

Country of Origin:	China
Fitting Instruction:	No
Certification:	CE: Yes WRAS: N/A WRAS No: N/A
Product Material:	Vitreous China
Fixing Supplied:	No

**Pans/Bidets:** Trap Style: P Trap Includes Seat: Yes

**Seats:** Seat Type: Round Material: Polypropylene  
Function: Soft Close Hinge Type: Top & Bottom Fix  
Hinge Material: Plastic

**Cisterns:** Operating Type: Push Button Fittings: Loose 6/3L  
Lever Type: Plastic Chrome Platec

**Basins:** Tap Hole: Not Applicable Chain Stay Hole: Not Applicable  
Template: Not Applicable Waste Type Req: Not Applicable  
Overflow Inc: Not Applicable Overflow Cover: Not Applicable  
Inner Bowl Depth (mm): N/A