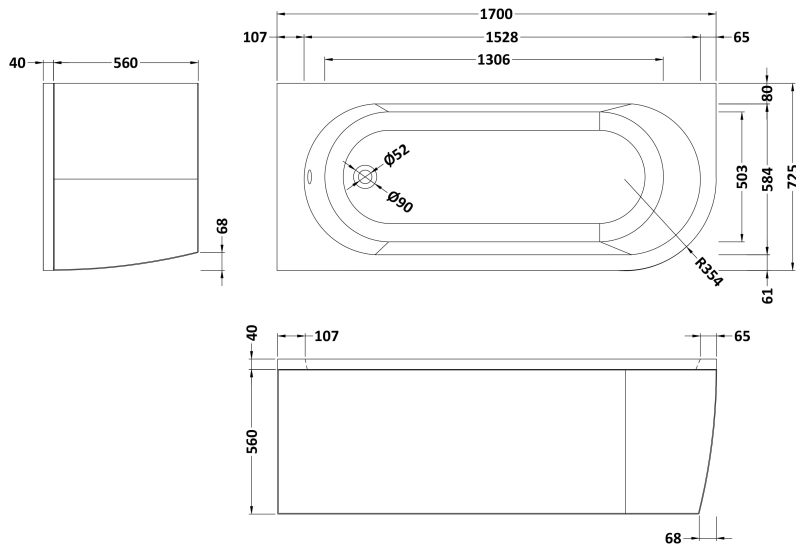
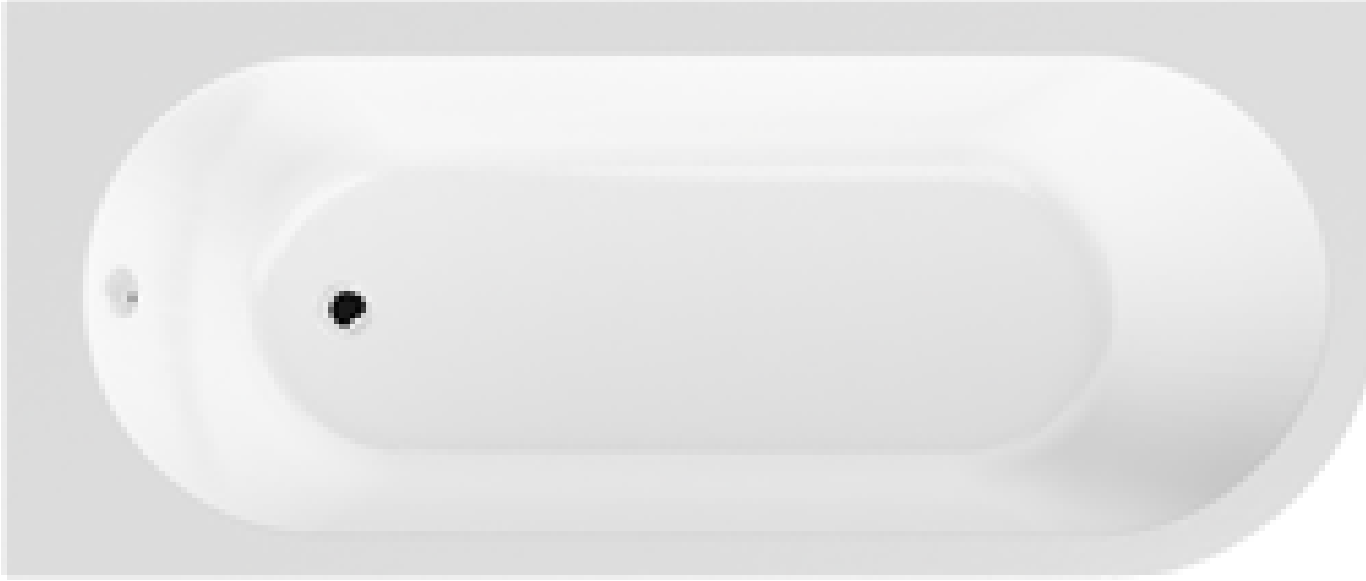


Sales Code: NBH209L

Description: Lh Btw Corner Bath

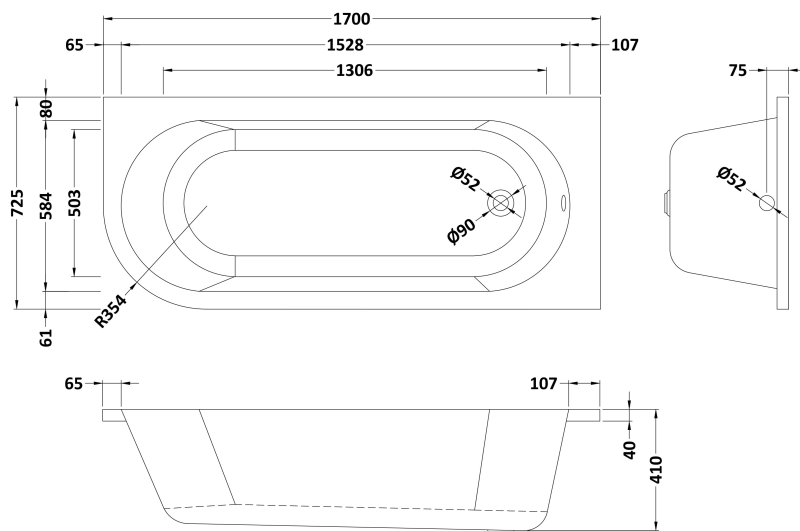
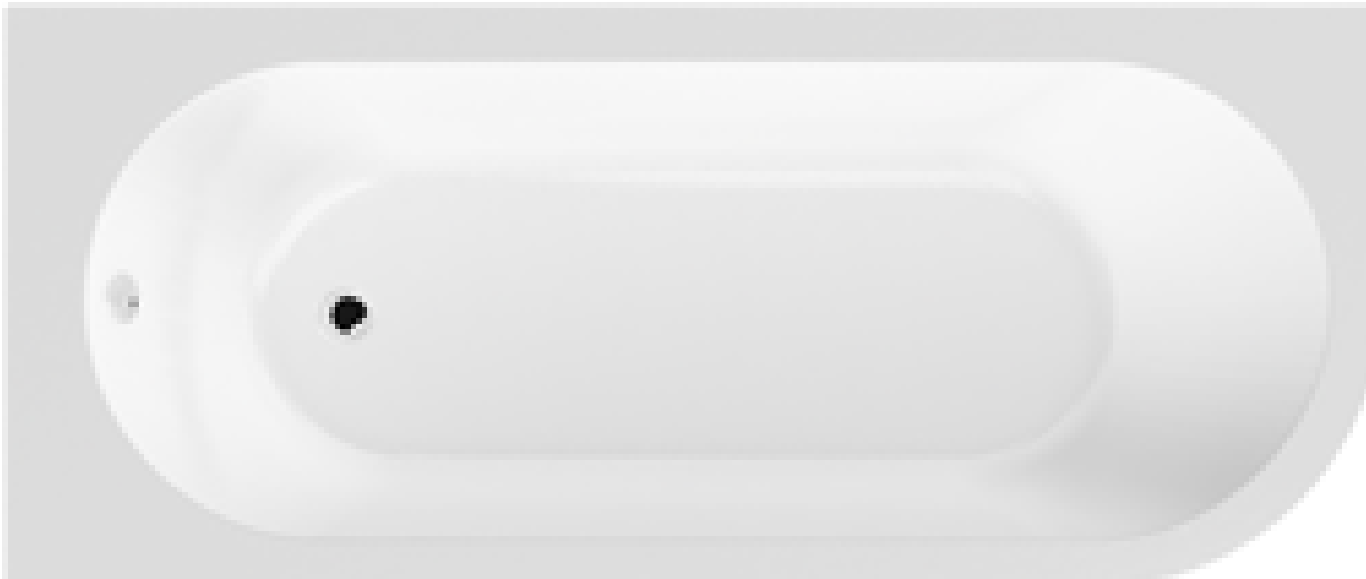
Packaging Details

Barcode: 5055275894538



Sales Code: NBH209LNL

Description: Lh Btw Corner Bath



Product Dimensions

| | |
|-------------------|------|
| Length (mm): | 725 |
| Width (mm): | 1700 |
| Depth (mm): | 410 |
| Nett Weight (kg): | 24 |

Packaging Dimensions

| | |
|--------------------|------|
| Length (mm): | 1700 |
| Width (mm): | 725 |
| Depth (mm): | 400 |
| Gross Weight (kg): | 25 |

Packaging Data

| | |
|---------------|------------------------|
| Box Colour: | Brown Cardboard Sleeve |
| Box Qty: | 1 |
| Label Size: | 80 x 40 |
| Label Colour: | White Label |
| Label Qty: | 2 |

Outer Box Dimensions (If Applicable)

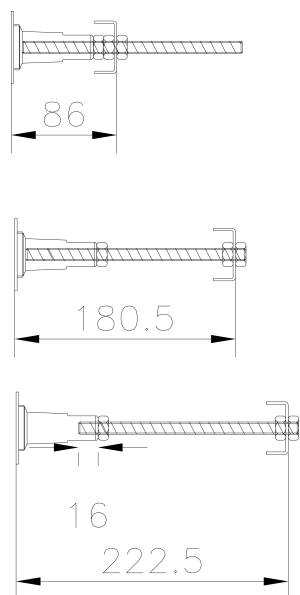
| | |
|--------------------|---------------|
| Length (mm): | |
| Width (mm): | |
| Height (mm): | |
| Gross Weight (kg): | |
| Barcode: | 5055275894538 |

Product Details

| | |
|----------------------------|---------------------|
| Country of Origin: | Poland |
| Fitting Instruction: | No |
| Certification: | FSC: No CE: Yes |
| Material Colour Reference: | European White |
| Product Material: | Acrylic |
| Material Thickness: | 4mm |
| Volume (Ltr): | 195L |
| Displaced Capacity: | 120L |
| Leg Set Included: | Legset Not Included |
| Waste Included: | Waste Not Included |
| Drilled/Undrilled: | Undrilled For Taps |
| Includes Grips: | Not Applicable |
| Embossed: | No |
| No of Tapholes: | None |
| Anti-Slip: | No |

Sales Code: NBL001

Description: Leg Set



Product Dimensions

| | |
|-------------------|-----|
| Length (mm): | 570 |
| Width (mm): | |
| Depth (mm): | |
| Nett Weight (kg): | 1.9 |

Packaging Dimensions

| | |
|--------------------|-----|
| Length (mm): | 600 |
| Width (mm): | 60 |
| Depth (mm): | 60 |
| Gross Weight (kg): | 1.9 |

Packaging Data

| | |
|---------------|---------------------|
| Box Colour: | Brown Cardboard Box |
| Box Qty: | 1 |
| Label Size: | 50 x 38 |
| Label Colour: | White Label |
| Label Qty: | 1 |

Outer Box Dimensions (If Applicable)

| | |
|--------------------|---------------|
| Length (mm): | |
| Width (mm): | |
| Height (mm): | |
| Gross Weight (kg): | |
| Barcode: | 5055275833612 |

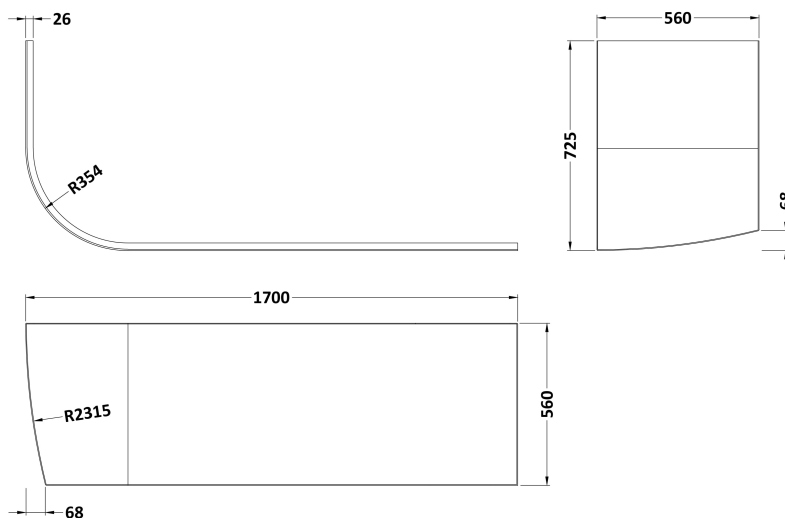
Product Details

| | |
|----------------------------|-----------------------|
| Country of Origin: | Poland |
| Fitting Instruction: | No |
| Certification: | FSC: N/A CE: N/A |
| Material Colour Reference: | Not Applicable |
| Product Material: | Steel |
| Material Thickness: | N/A |
| Volume (Ltr): | N/A |
| Displaced Capacity: | N/A |
| Leg Set Included: | Not Applicable |
| Waste Included: | Not Applicable |
| Drilled/Undrilled: | Not Applicable |
| Includes Grips: | Not Applicable |
| Embossed: | Not Applicable |
| No of Tapholes: | Not Applicable |
| Anti-Slip: | Not Applicable |

Sales Code: BSG008

Description: Btw J Corner Bath Panel

Image
Currently
Unavailable



Product Dimensions

| | |
|-------------------|---|
| Length (mm): | |
| Width (mm): | |
| Depth (mm): | |
| Nett Weight (kg): | 5 |

Packaging Dimensions

| | |
|--------------------|------|
| Length (mm): | 1700 |
| Width (mm): | 30 |
| Depth (mm): | 400 |
| Gross Weight (kg): | 5.5 |

Packaging Data

| | |
|---------------|-------------|
| Box Colour: | Polybagged |
| Box Qty: | 1 |
| Label Size: | 80 x 40 |
| Label Colour: | White Label |
| Label Qty: | 1 |

Outer Box Dimensions (If Applicable)

| | |
|--------------------|---------------|
| Length (mm): | |
| Width (mm): | |
| Height (mm): | |
| Gross Weight (kg): | |
| Barcode: | 5055275894118 |

Product Details

| | |
|----------------------------|----------------|
| Country of Origin: | Poland |
| Fitting Instruction: | No |
| Certification: | FSC: CE: |
| Material Colour Reference: | |
| Product Material: | Acrylic |
| Material Thickness: | 2mm |
| Volume (Ltr): | |
| Displaced Capacity: | |
| Leg Set Included: | Not Applicable |
| Waste Included: | Not Applicable |
| Drilled/Undrilled: | Not Applicable |
| Includes Grips: | Not Applicable |
| Embossed: | Not Applicable |
| No of Tapholes: | Not Applicable |
| Anti-Slip: | Not Applicable |