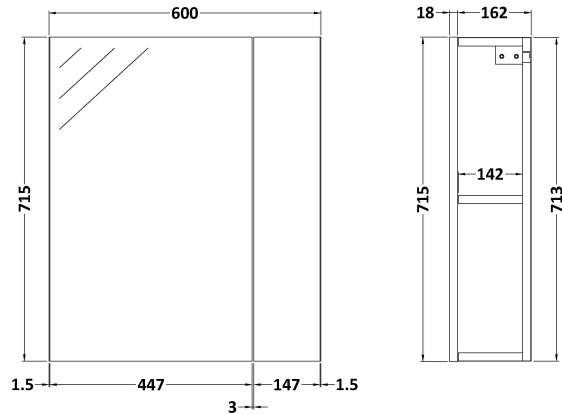


Sales Code: MOC324

Description: 600 Mirror Unit 75/25



Product Dimensions

Height (mm):	715
Width (mm):	600
Depth (mm):	182
Nett Weight (kg):	20

Packaging Dimensions

Height (mm):	735
Width (mm):	620
Depth (mm):	202
Gross Weight (kg):	20

Packaging Data

Box Colour:	Brown Cardboard Box
Box Qty:	1
Label Size:	100 x 50
Label Colour:	White Label
Label Qty:	2

Outer Box Dimensions (If Applicable)

Height (mm):	
Width (mm):	
Depth (mm):	
Gross Weight (kg):	
Barcode:	5055275870051

Product Details

Country of Origin:	China
Fitting Instruction:	Yes
Certification:	FSC: Yes CE: Yes
Colour:	Gloss Grey
Construction Method:	Cam & Wood Dowel
Construction Type:	Rigid
Cabinet Finish:	MFC Painted Gloss
Fascia Finish:	MFC Painted Gloss
Cabinet Thickness (mm):	16
Fascia Thickness (mm):	18
Drawer Included:	No
Drawer Type:	Not Applicable
No of Shelves:	2
Hinge Type:	95 Degree Clip-On Soft Close
Hinge Included:	Yes
Adjustable Legs:	No
Fixings Included:	Yes
Handle Style:	Not Applicable
Handle Included:	No
Waste Shroud:	No
Handle Type:	Handleless