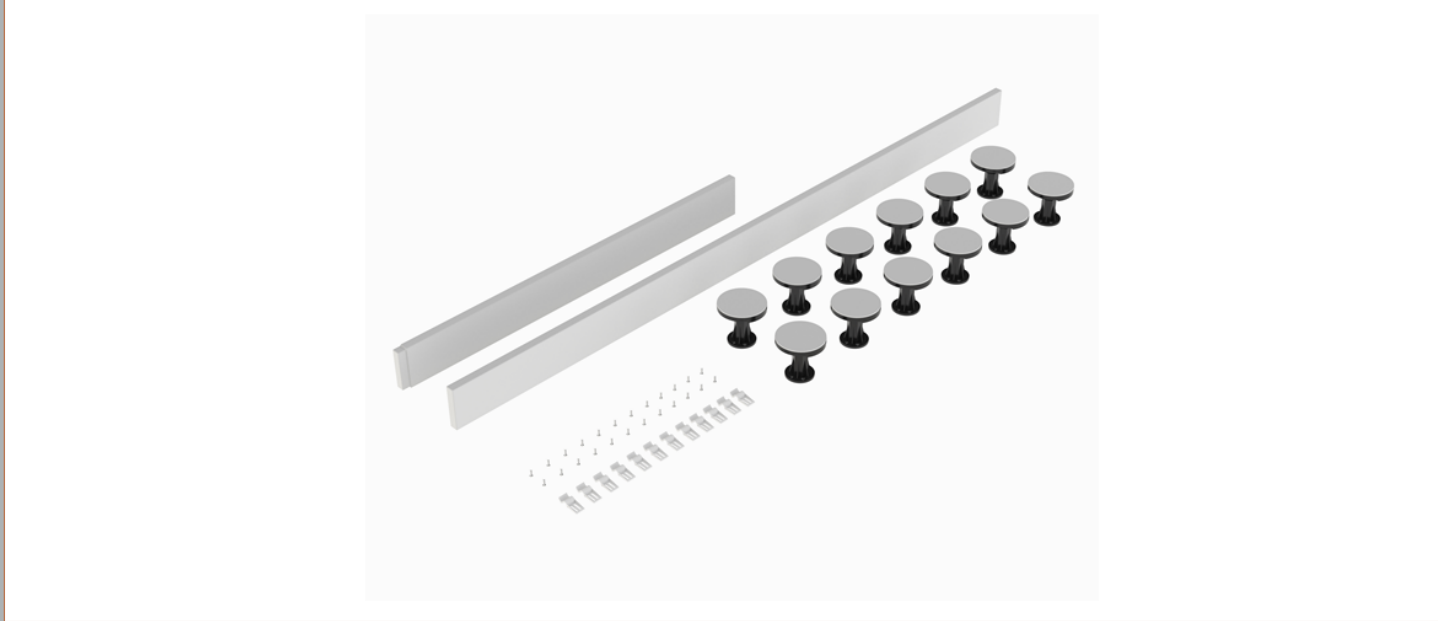


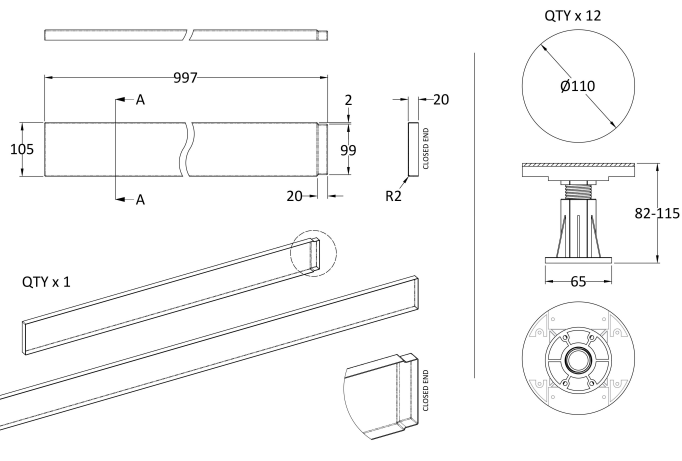
Sales Code: LEG4W

Description: Suitable For 1300-1800 Rec & Walk Trays



Packaging Details

Barcode: 5056211868798



Sales Code: NTP565

Description: 1800 Tray Panel



Product Dimensions

Length (mm): 1700
 Width (mm): 105
 Height (mm): 12
 Nett Weight (kg): 1

Packaging Dimensions

Length (mm): 1710
 Width (mm): 110
 Height (mm): 15
 Gross Weight (kg): 1

Packaging Data

Box Colour: Polybagged
 Box Qty: 1
 Label Size: 100 x 50
 Label Colour: White Label
 Label Qty: 2

Outer Box Dimensions (If Applicable)

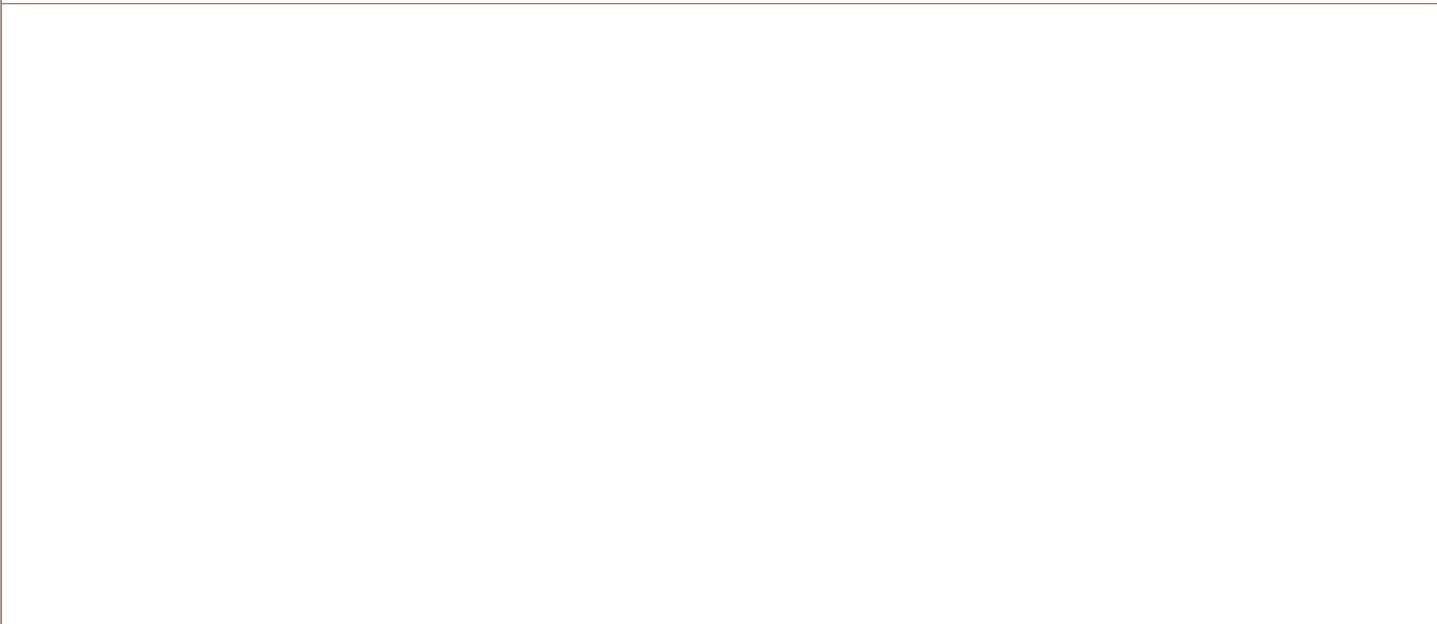
Length (mm):
 Width (mm):
 Height (mm):
 Gross Weight (kg):
 Barcode: 5055369007967

Product Details

Country of Origin: United Kingdom
 Fitting Instruction: No
 CE Certification:
 Colour/Finish: White
 Product Material: Acrylic Capped ABS
 Material Colour Reference: European White
 Radius: 0
 Waste Required (mm):
 Compatible with Leg Kit: Not Applicable

Sales Code: NTP515

Description: 1000 Tray Panel



Product Dimensions

Length (mm):	1000
Width (mm):	105
Height (mm):	12
Nett Weight (kg):	0.32

Packaging Dimensions

Length (mm):	1010
Width (mm):	110
Height (mm):	15
Gross Weight (kg):	0.32

Packaging Data

Box Colour:	Polybagged
Box Qty:	1
Label Size:	100 x 50
Label Colour:	White Label
Label Qty:	2

Outer Box Dimensions (If Applicable)

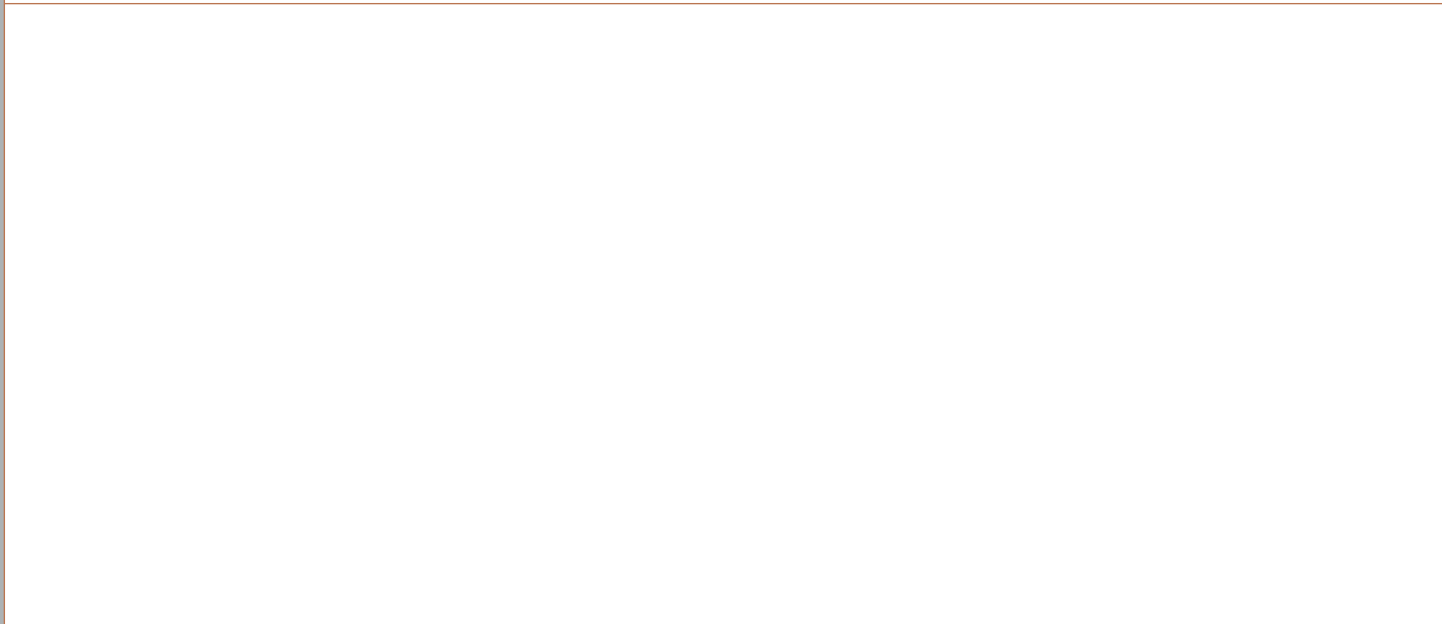
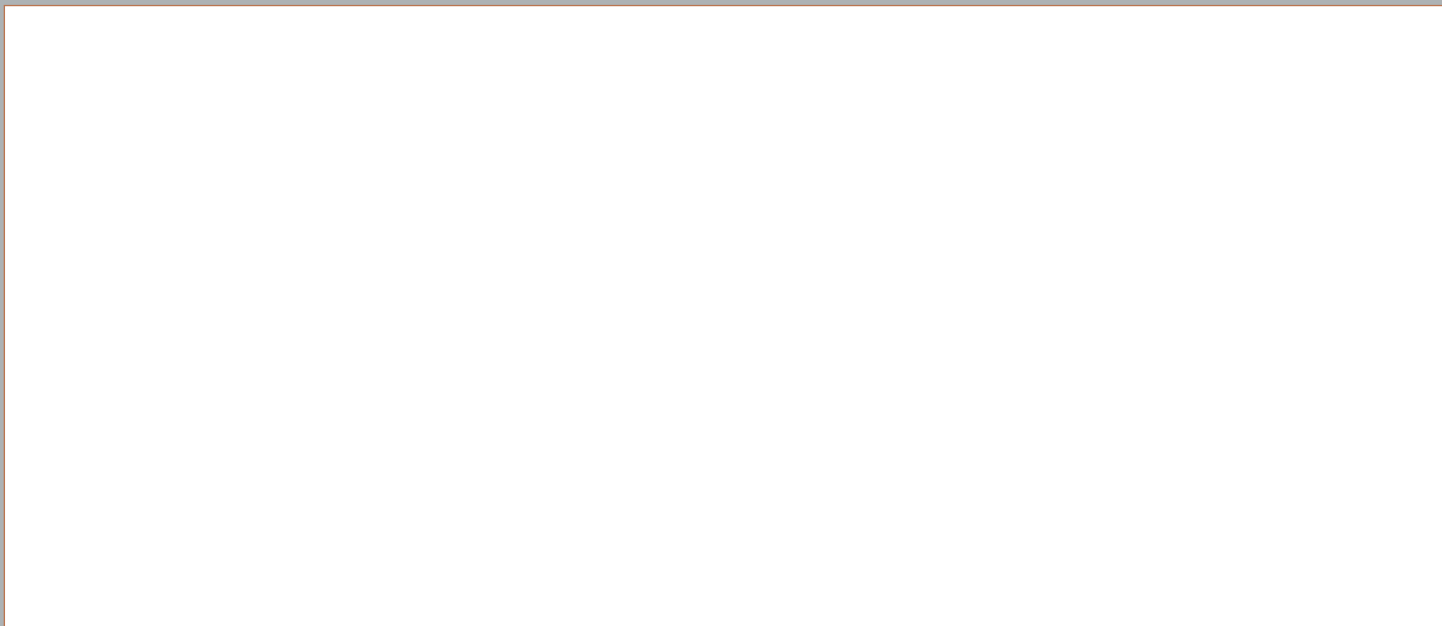
Length (mm):	
Width (mm):	
Height (mm):	
Gross Weight (kg):	
Barcode:	5055369007950

Product Details

Country of Origin:	United Kingdom
Fitting Instruction:	No
CE Certification:	
Colour/Finish:	White
Product Material:	Acrylic Capped ABS
Material Colour Reference:	European White
Radius:	0
Waste Required (mm):	
Compatible with Leg Kit:	Not Applicable

Sales Code: NTP001A

Description: Pack Of 6 Legs/Clips & Screws



Product Dimensions

Length (mm):
 Width (mm):
 Height (mm):
 Nett Weight (kg): 0.83

Packaging Dimensions

Length (mm): 180
 Width (mm): 120
 Height (mm): 125
 Gross Weight (kg): 0.83

Packaging Data

Box Colour: Polybagged
 Box Qty: 1
 Label Size: 100 x 50
 Label Colour: White Label
 Label Qty: 2

Outer Box Dimensions (If Applicable)

Length (mm):
 Width (mm):
 Height (mm):
 Gross Weight (kg):
 Barcode: 5056211855415

Product Details

Country of Origin: China
 Fitting Instruction: No
 CE Certification:
 Colour/Finish: White
 Product Material: ABS
 Material Colour Reference: Not Applicable
 Radius: 0
 Waste Required (mm):
 Compatible with Leg Kit: Not Applicable