

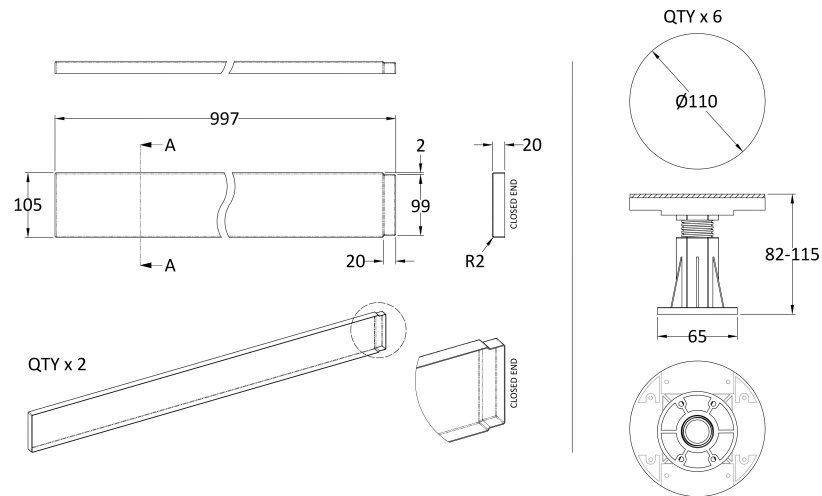
Sales Code: LEG1W

Description: Suitable For 700-900 Square & Rec Trays



Packaging Details

Barcode: 5056211868767



Sales Code: NTP515

Description: 1000 Tray Panel



Product Dimensions

Length (mm): 1000
 Width (mm): 105
 Height (mm): 12
 Nett Weight (kg): 0.32

Packaging Dimensions

Length (mm): 1010
 Width (mm): 110
 Height (mm): 15
 Gross Weight (kg): 0.32

Packaging Data

Box Colour: Polybagged
 Box Qty: 1
 Label Size: 100 x 50
 Label Colour: White Label
 Label Qty: 2

Outer Box Dimensions (If Applicable)

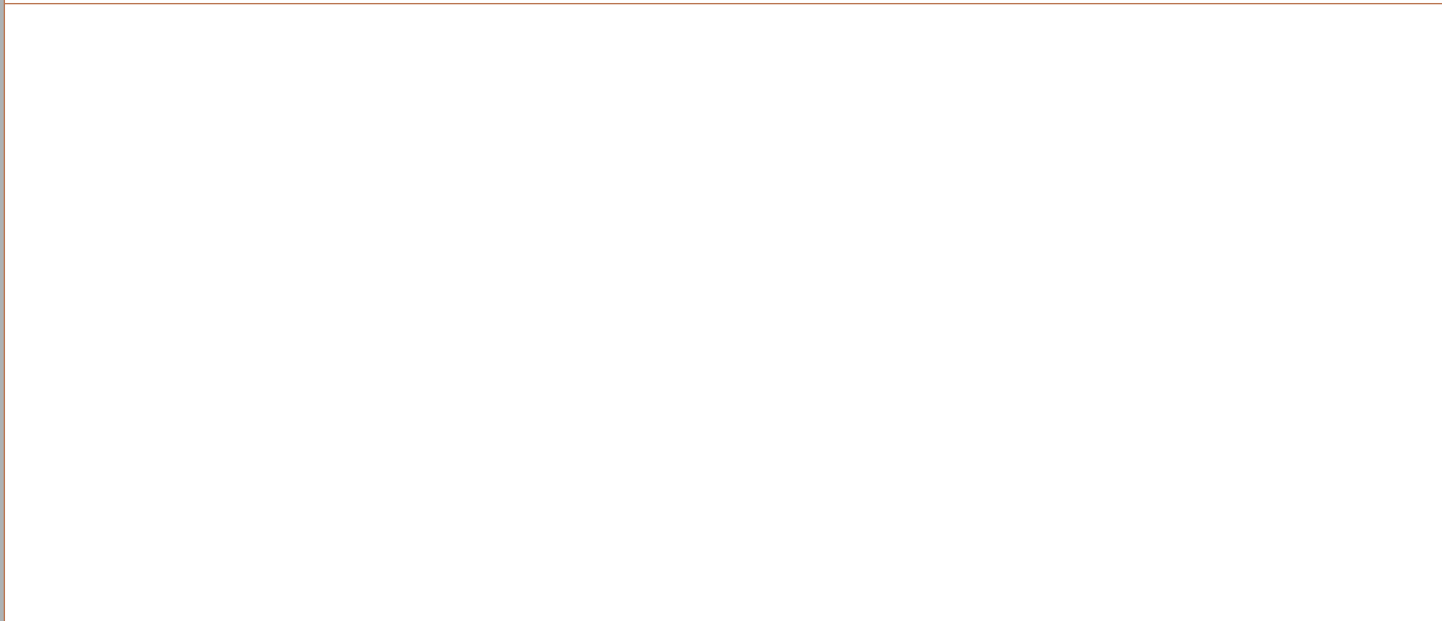
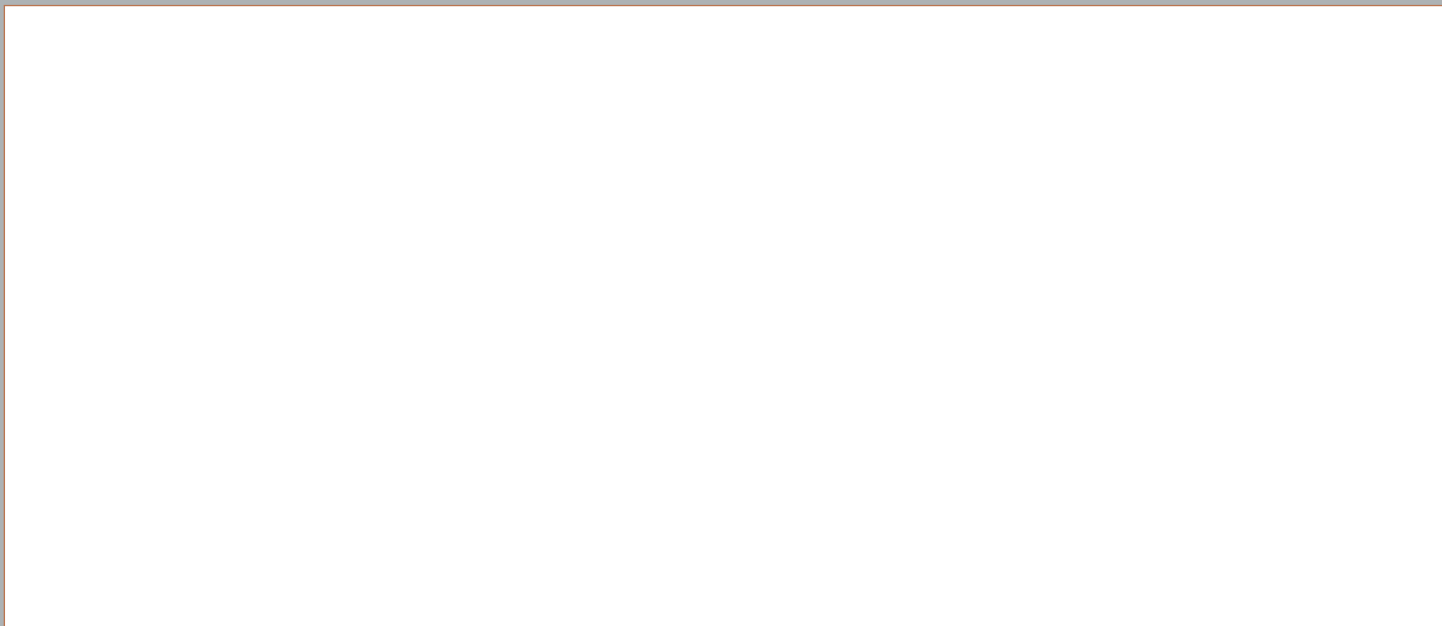
Length (mm):
 Width (mm):
 Height (mm):
 Gross Weight (kg):
 Barcode: 5055369007950

Product Details

Country of Origin: United Kingdom
 Fitting Instruction: No
 CE Certification:
 Colour/Finish: White
 Product Material: Acrylic Capped ABS
 Material Colour Reference: European White
 Radius: 0
 Waste Required (mm):
 Compatible with Leg Kit: Not Applicable

Sales Code: NTP001A

Description: Pack Of 6 Legs/Clips & Screws



Product Dimensions

Length (mm):
 Width (mm):
 Height (mm):
 Nett Weight (kg): 0.83

Packaging Dimensions

Length (mm): 180
 Width (mm): 120
 Height (mm): 125
 Gross Weight (kg): 0.83

Packaging Data

Box Colour: Polybagged
 Box Qty: 1
 Label Size: 100 x 50
 Label Colour: White Label
 Label Qty: 2

Outer Box Dimensions (If Applicable)

Length (mm):
 Width (mm):
 Height (mm):
 Gross Weight (kg):
 Barcode: 5056211855415

Product Details

Country of Origin: China
 Fitting Instruction: No
 CE Certification:
 Colour/Finish: White
 Product Material: ABS
 Material Colour Reference: Not Applicable
 Radius: 0
 Waste Required (mm):
 Compatible with Leg Kit: Not Applicable