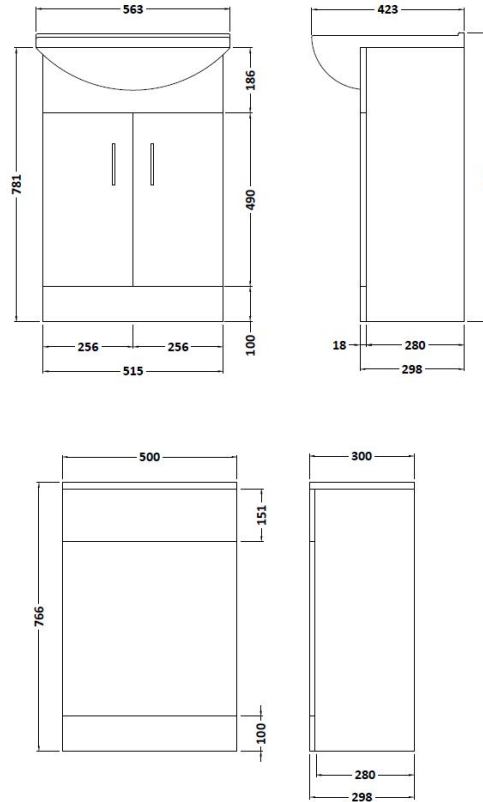


Sales Code: FMD001

Description: Madison Furniture Pack

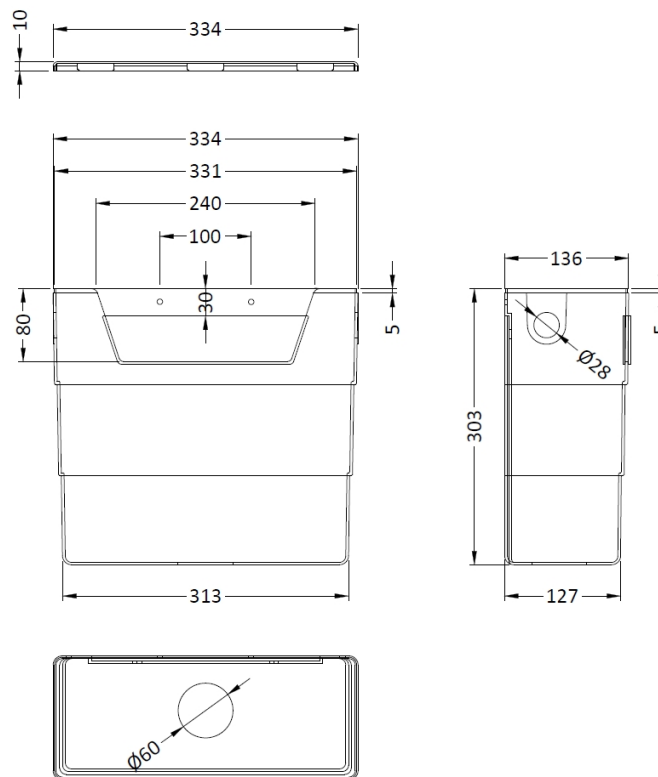
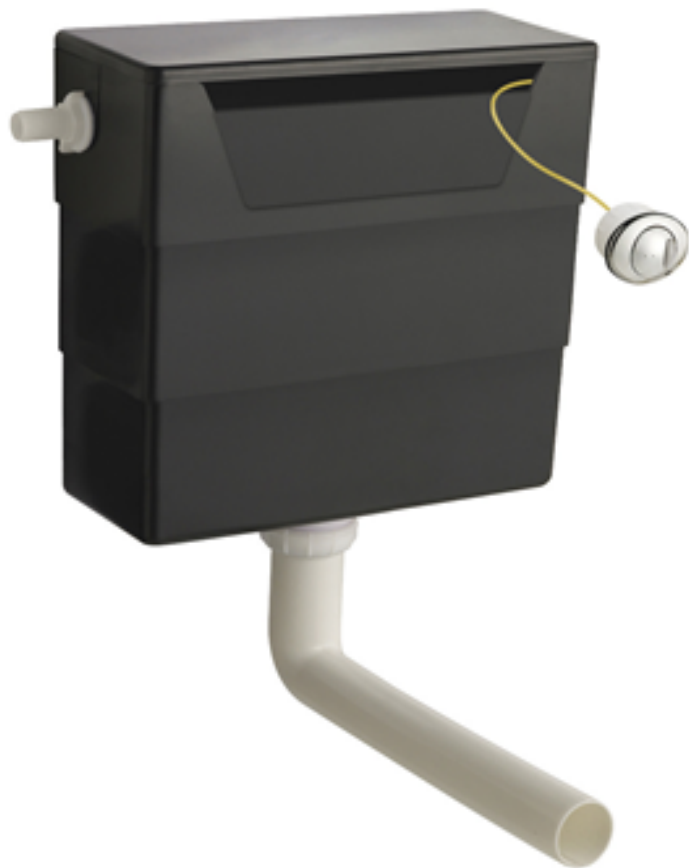


### Packaging Details

Barcode: 5055369059782

Sales Code: XTY006

Description: Cable Conc Universal Access Cistern



### Product Dimensions

Length (mm):	
Width (mm):	303
Height (mm):	334
Depth (mm):	136
Nett Weight (kg):	2.23

### Packaging Dimensions

Height (mm):	345
Width (mm):	145
Depth (mm):	320
Gross Weight (kg):	2.23

### Packaging Data

Box Colour:	Brown Cardboard Box
Box Qty:	1
Label Size:	100 x 50
Label Colour:	White Label
Label Qty:	2

### Outer Box Dimensions (If Applicable)

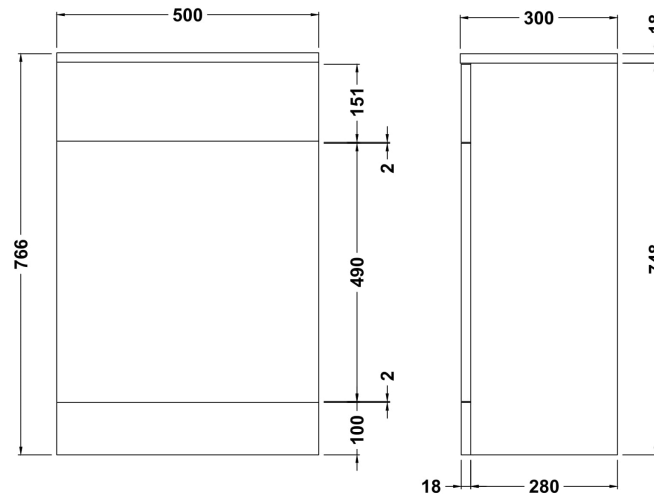
Height (mm):	
Width (mm):	
Length (mm):	
Depth (mm):	
Gross Weight (kg):	2
Barcode:	5055146182566

### Product Details

Country of Origin:	China
Fitting Instruction:	Yes
CE Certification:	Yes
Product Material:	Plastic
Heating Element Wattage:	Not Applicable
Colour/Finish:	Chrome
Product Diameter:	Not Applicable
Connection Size:	1/2" Bsp

Sales Code: PRC141

Description: 500X300 Pr W.C. Unit



### Product Dimensions

Height (mm):	766
Width (mm):	500
Depth (mm):	300
Nett Weight (kg):	15.72

### Packaging Dimensions

Height (mm):	325
Width (mm):	525
Depth (mm):	810
Gross Weight (kg):	15.72

### Packaging Data

Box Colour:	Brown Cardboard Box - Printed
Box Qty:	1
Label Size:	100 x 50
Label Colour:	Not Applicable
Label Qty:	0

### Outer Box Dimensions (If Applicable)

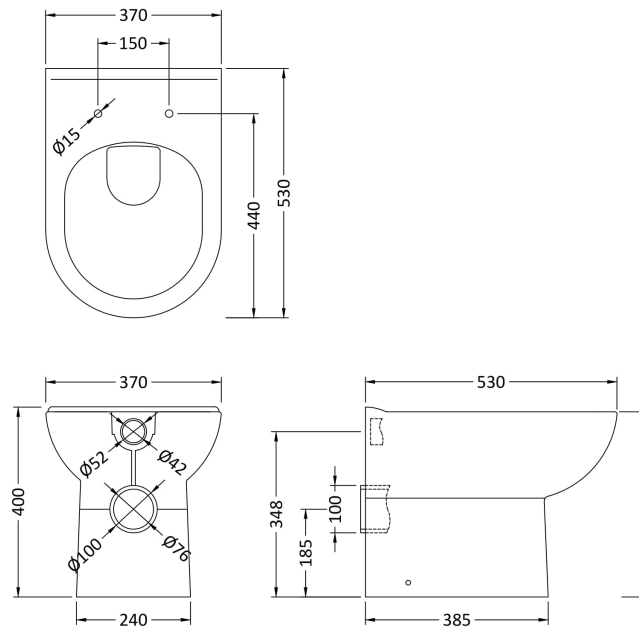
Height (mm):	
Width (mm):	
Depth (mm):	
Gross Weight (kg):	
Barcode:	5055275830055

### Product Details

Country of Origin:	China
Fitting Instruction:	Yes
Certification:	FSC: Yes CE: N/A
Colour:	Gloss White
Construction Method:	Cam & Wood Dowel
Construction Type:	Rigid
Cabinet Finish:	MFC Painted Gloss
Fascia Finish:	Mdf Painted Gloss
Cabinet Thickness (mm):	16
Fascia Thickness (mm):	18
Drawer Included:	No
Drawer Type:	Not Applicable
No of Shelves:	0
Hinge Type:	Not Applicable
Hinge Included:	No
Adjustable Legs:	No
Fixings Included:	No
Handle Style:	Not Applicable
Handle Included:	No
Waste Shroud:	No
Handle Type:	Not Applicable

**Sales Code:** BTW005

**Description:** Lawton Back To Wall Pan



**Product Dimensions**

Height (mm):	400
Width (mm):	370
Depth (mm):	530
Nett Weight (kg):	22.1

**Packaging Dimensions**

Height (mm):	420
Width (mm):	395
Depth (mm):	540
Gross Weight (kg):	22.6

**Packaging Data**

Box Colour:	Brown Cardboard Box - Printed
Box Qty:	1
Label Size:	100 x 50
Label Colour:	Not Applicable
Label Qty:	2

**Outer Box Dimensions (If Applicable)**

Height (mm):	
Width (mm):	
Depth (mm):	
Gross Weight (kg):	
Barcode:	5055369032907

**Product Details**

Country of Origin:	China
Fitting Instruction:	No
Certification:	CE: Yes WRAS: N/A WRAS No: N/A
Product Material:	Vitreous China
Fixing Supplied:	No

**Pans/Bidets:** Trap Style: P Trap Includes Seat: No

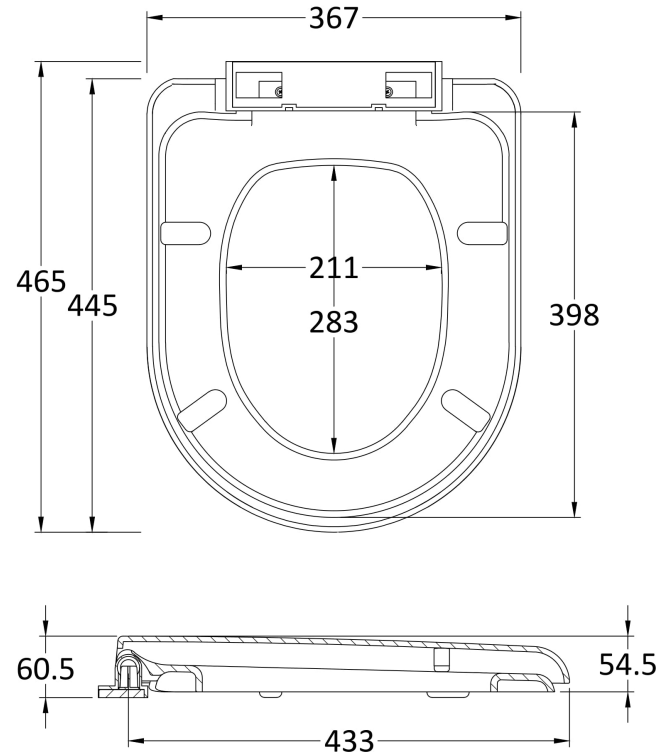
**Seats:** Seat Type: D-Shape Material: Not Applicable  
 Function: Not Applicable Hinge Type: Top Fix  
 Hinge Material: Not Applicable

**Cisterns:** Operating Type: Not Applicable Fittings: Not Applicable  
 Lever Type: Not Applicable

**Basins:** Tap Hole: Not Applicable Chain Stay Hole: Not Applicable  
 Template: Not Applicable Waste Type Req: Not Applicable  
 Overflow Inc: Not Applicable Overflow Cover: Not Applicable  
 Inner Bowl Depth (mm): N/A

**Sales Code:** NTS002

**Description:** Standard D Shape Seat, Sc, Top Fix



**Product Dimensions**

Length (mm):	465
Width (mm):	367
Height (mm):	61
Nett Weight (kg):	1.95

**Packaging Dimensions**

Length (mm):	465
Width (mm):	380
Height (mm):	55
Gross Weight (kg):	2.02

**Packaging Data**

Box Colour:	White Cardboard Box - Printed
Box Qty:	1
Label Size:	100 x 50
Label Colour:	Not Applicable
Label Qty:	

**Outer Box Dimensions (If Applicable)**

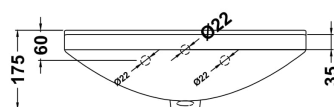
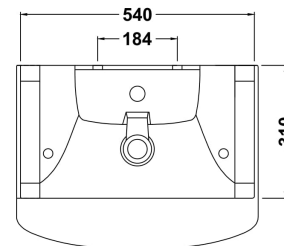
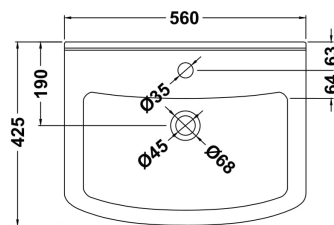
Length (mm):	580
Width (mm):	490
Height (mm):	400
Gross Weight (kg):	22
Barcode:	5060272824853

**Product Details**

Country of Origin:	China
Fitting Instruction:	Yes
CE Certification:	Not Applicable
Product Material:	Polypropylene
Seat Type:	D Shape
Seat Function:	Soft Close
Hinge Centres (Min):	127.5
Hinge Centres (Max):	171.5
Hinge Material:	Polypropylene
Colour/Finish:	White
Fixing Method:	Top Fix

Sales Code: NBC102

Description: 550 Deluxe Basin 1Th (300 Deep)



**Product Dimensions**

Height (mm):	160
Width (mm):	506
Depth (mm):	403
Nett Weight (kg):	13

**Packaging Dimensions**

Height (mm):	450
Width (mm):	190
Depth (mm):	580
Gross Weight (kg):	13

**Packaging Data**

Box Colour:	Brown Cardboard Box - Printed
Box Qty:	1
Label Size:	100 x 50
Label Colour:	Not Applicable
Label Qty:	0

**Outer Box Dimensions (If Applicable)**

Height (mm):	
Width (mm):	
Depth (mm):	
Gross Weight (kg):	
Barcode:	5055369054183

**Product Details**

Country of Origin:	China
Fitting Instruction:	No
Certification:	CE: No WRAS: N/A WRAS No: N/A
Product Material:	Vitreous China
Fixing Supplied:	No

**Pans/Bidets:** Trap Style: Not Applicable Includes Seat: Not Applicable

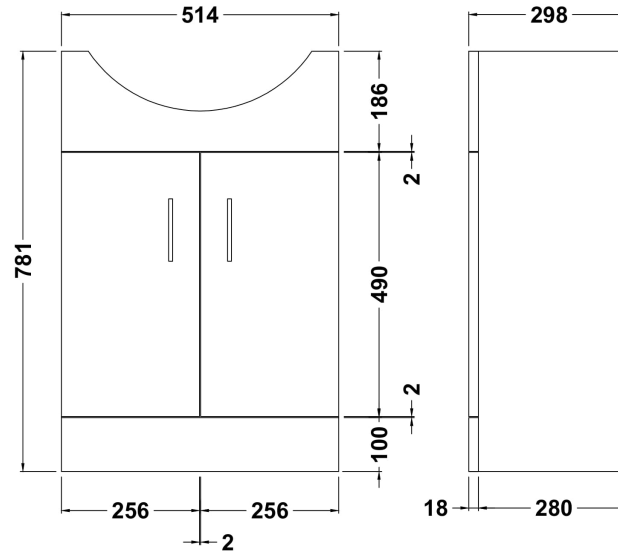
**Seats:** Seat Type: Not Applicable Material: Not Applicable  
Function: Not Applicable Hinge Type: Not Applicable  
Hinge Material: Not Applicable

**Cisterns:** Operating Type: Not Applicable Fittings: Not Applicable  
Lever Type: Not Applicable

**Basins:** Tap Hole: One Taphole Chain Stay Hole: No  
Template: Not Required Waste Type Req: Slotted  
Overflow Inc: Yes Overflow Cover: No  
Inner Bowl Depth (mm):

Sales Code: PRC102

Description: 550 Pr Std Basin Unit



### Product Dimensions

Height (mm):	781
Width (mm):	520
Depth (mm):	298
Nett Weight (kg):	15.8

### Packaging Dimensions

Height (mm):	325
Width (mm):	540
Depth (mm):	815
Gross Weight (kg):	16.8

### Packaging Data

Box Colour:	Brown Cardboard Box - Printed
Box Qty:	1
Label Size:	100 x 50
Label Colour:	Not Applicable
Label Qty:	0

### Outer Box Dimensions (If Applicable)

Height (mm):	
Width (mm):	
Depth (mm):	
Gross Weight (kg):	
Barcode:	5055369058327

### Product Details

Country of Origin:	China
Fitting Instruction:	No
Certification:	FSC: Yes CE: N/A
Colour:	Gloss White
Construction Method:	Cam & Wood Dowel
Construction Type:	Rigid
Cabinet Finish:	MFC Painted Gloss
Fascia Finish:	Mdf Painted Gloss
Cabinet Thickness (mm):	16
Fascia Thickness (mm):	18
Drawer Included:	No
Drawer Type:	Not Applicable
No of Shelves:	1
Hinge Type:	95 Degree Clip-On Soft Close
Hinge Included:	Yes
Adjustable Legs:	No
Fixings Included:	No
Handle Style:	Modern
Handle Included:	Yes
Waste Shroud:	No
Handle Type:	D-Shape