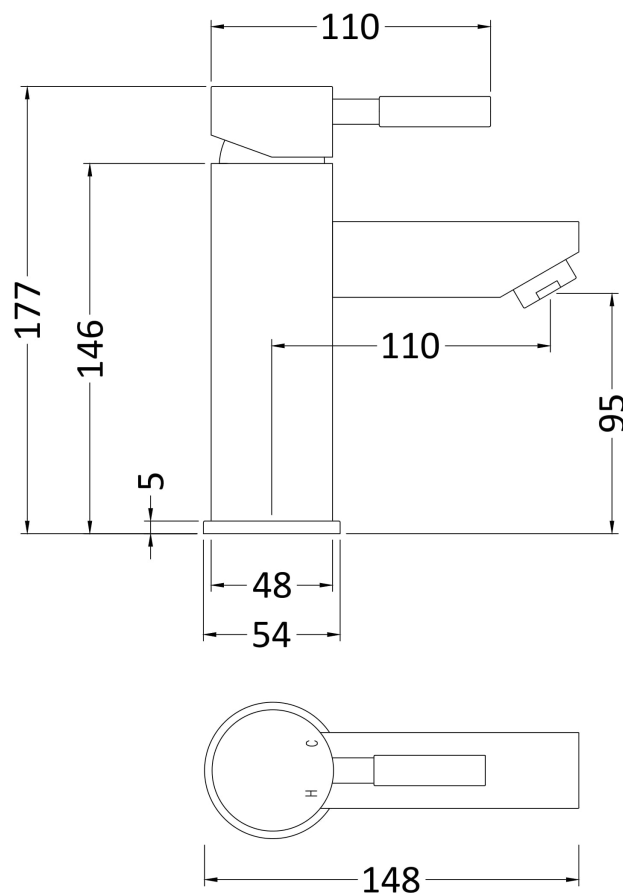


Sales Code: FJ318

Description: Series 2 Single Lever Mono With Waste



### Product Dimensions

Height (mm):	177
Width (mm):	50
Depth (mm):	147
Length (mm):	
Nett Weight (kg):	0.95

### Packaging Dimensions

Height (mm):	355
Width (mm):	255
Depth (mm):	420
Gross Weight (kg):	1.15

### Packaging Data

Box Colour:	White Cardboard Box
Box Qty:	1
Label Size:	100 x 50
Label Colour:	White Label
Label Qty:	2

### Outer Box Dimensions (If Applicable)

Height (mm):	265
Width (mm):	355
Depth (mm):	420
Length (mm):	
Gross Weight (kg):	14
Barcode:	5055275870655

### Product Details

Country of Origin:	China
Fitting Instruction:	Yes
Product Material:	Brass
Control Type:	Manual
Waste Included:	Waste Included
Waste Type:	Not Applicable
WRAS Approval: N/A	Approval No: N/A
Valve/Cartridge Type:	Single Lever Cartridge
Colour/Finish:	Chrome
Mount Type:	Deck
Operating Pressure (bar):	0.2

Flow Rates: (Litres Per Min)	0.1 bar: 3.3	0.5 bar: 8.3	1 bar: 11.9	2 bar: 17.1	3 bar: 21.2
Pipe Size:	15 mm (1/2" Bsp)				
Pipe Centres:	N/A				