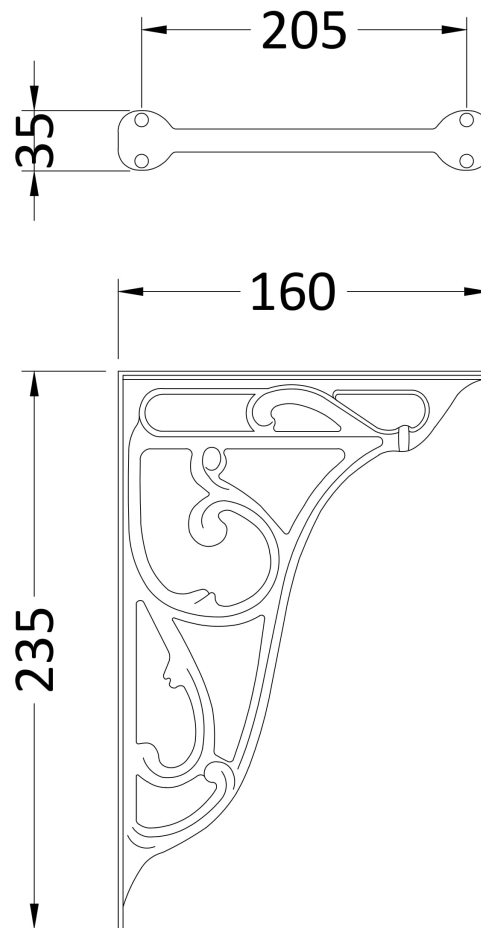
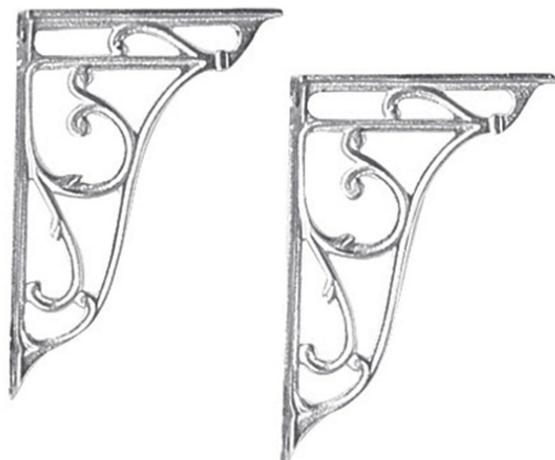


Sales Code: FA322

Description: Ornate Cistern Brackets



### Product Dimensions

Length (mm):	
Width (mm):	35
Height (mm):	235
Depth (mm):	160
Nett Weight (kg):	1.32

### Packaging Dimensions

Height (mm):	260
Width (mm):	165
Depth (mm):	55
Gross Weight (kg):	1.32

### Packaging Data

Box Colour:	White Cardboard Box
Box Qty:	1
Label Size:	100 x 50
Label Colour:	White Label
Label Qty:	2

### Outer Box Dimensions (If Applicable)

Height (mm):	
Width (mm):	
Length (mm):	
Depth (mm):	
Gross Weight (kg):	20
Barcode:	5055146106760

### Product Details

Country of Origin:	China
Fitting Instruction:	No
CE Certification:	N/A
Product Material:	Brass
Heating Element Wattage:	Not Applicable
Colour/Finish:	Chrome
Product Diameter:	Not Applicable
Connection Size:	Not Applicable