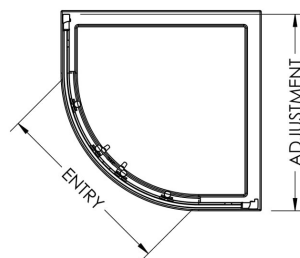
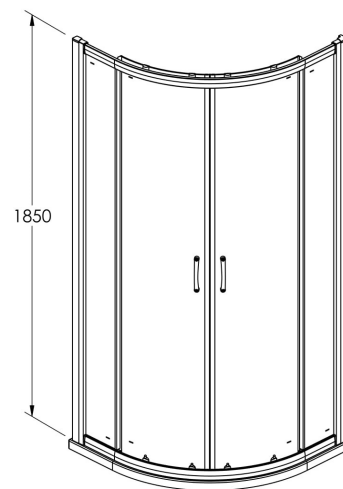


Sales Code: ERQ8

Description: Ella Quadrant Enclosure 800X800mm



Code	Description	Adjustment (mm)		Entry Width (mm)
ERQ7-E5	700 Quadrant	665	685	385
ERQ76-E5	760 Quadrant	745	725	385
ERQ8-E5/E6	800 Quadrant	765	785	385
ERQ9-E5/E6	900 Quadrant	865	885	530
ERQ10-E5/E6	1000 Quadrant	965	985	530

### Product Dimensions

Height (mm):	1850
Width (mm):	785
Depth (mm):	785
Nett Weight (kg):	33

### Packaging Dimensions

Height (mm):	1910
Width (mm):	410
Length (mm):	110
Gross Weight (kg):	33

### Packaging Data

Box Colour:	Brown Cardboard Box - Printed
Box Qty:	1
Label Size:	100 x 50
Label Colour:	Not Applicable
Label Qty:	0

### Outer Box Dimensions (If Applicable)

Height (mm):	
Width (mm):	
Depth (mm):	
Length (mm):	
Gross Weight (kg):	
Barcode:	5055369078592

### Product Details

Country of Origin:	China
Fitting Instruction:	Yes
CE Approval:	Yes
Profile Material:	Aluminium
Profile Finish:	Satin Chrome
Adjustments (mm):	765mm - 785mm
Entry Width (mm):	385mm
Swing In Dim (mm):	N/A
Swing Out Dim (mm):	N/A
Radius (mm):	538 mm
Glass Thickness (mm):	5
Easy Fit:	Yes
Easy Clean:	No
Handle Style:	D Shape Handle
Handle Material:	Plastic
Enclosure Design:	Framed
Wheel Type:	Plastic, Dual, Quick Release
Support Bar Included:	Support Bar Not Included
Extras:	None