

EXTERNALLY SILICONE SEAL THE WALL PROFILES WHERE THEY MEET THE WALL AND THE BOTTOM PROFILE WHERE IT MEETS THE TRAY. ALL IN A CONTINUOUS BEAD.

ALSO SILICONE PLASTIC MOULDING AND 150mm HIGH AS SHOWN IN DETAILED VIEW BELOW.

DO NOT SILICONE INSIDE THE ENCLOSURE.

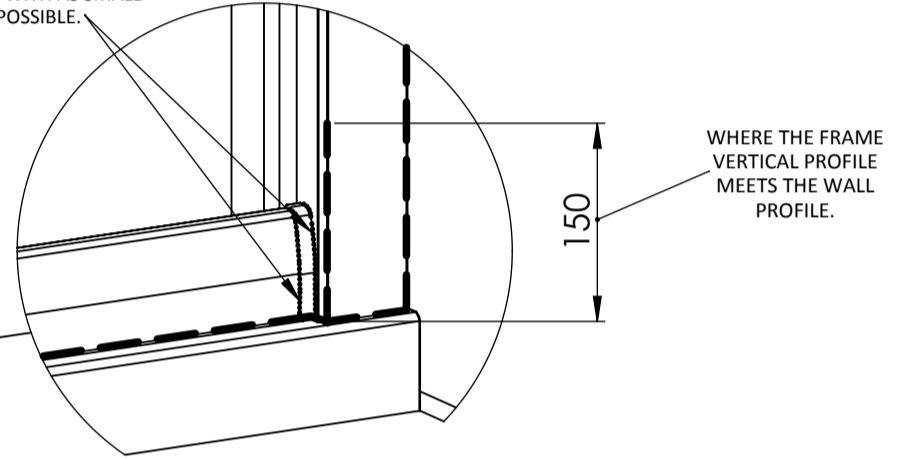
ALLOW THE SILICONE AT LEAST 24 HOURS TO FULLY CURE.

**AFTERCARE** - ENSURE YOU CLEAN YOUR PRODUCT USING A MILD DETERGENT DILUTED IN WATER, REMOVING ANY RESIDUE WITH A SOFT DAMP CLOTH.  
**MAINTENANCE** - ENSURE MOVING PARTS ARE FREE FROM ANY DEBRIS OR SOAP BUILD UP.  
**SHOWER ENCLOSURE WITH WHEELS** - THE WHEELS MUST ROTATE FREELY AND THE SPRING LOADED MECHANISM IN THE BOTTOM WHEELS MUST OPERATE WITHOUT INTERFERENCE.

**TROUBLE SHOOTING GUIDE**

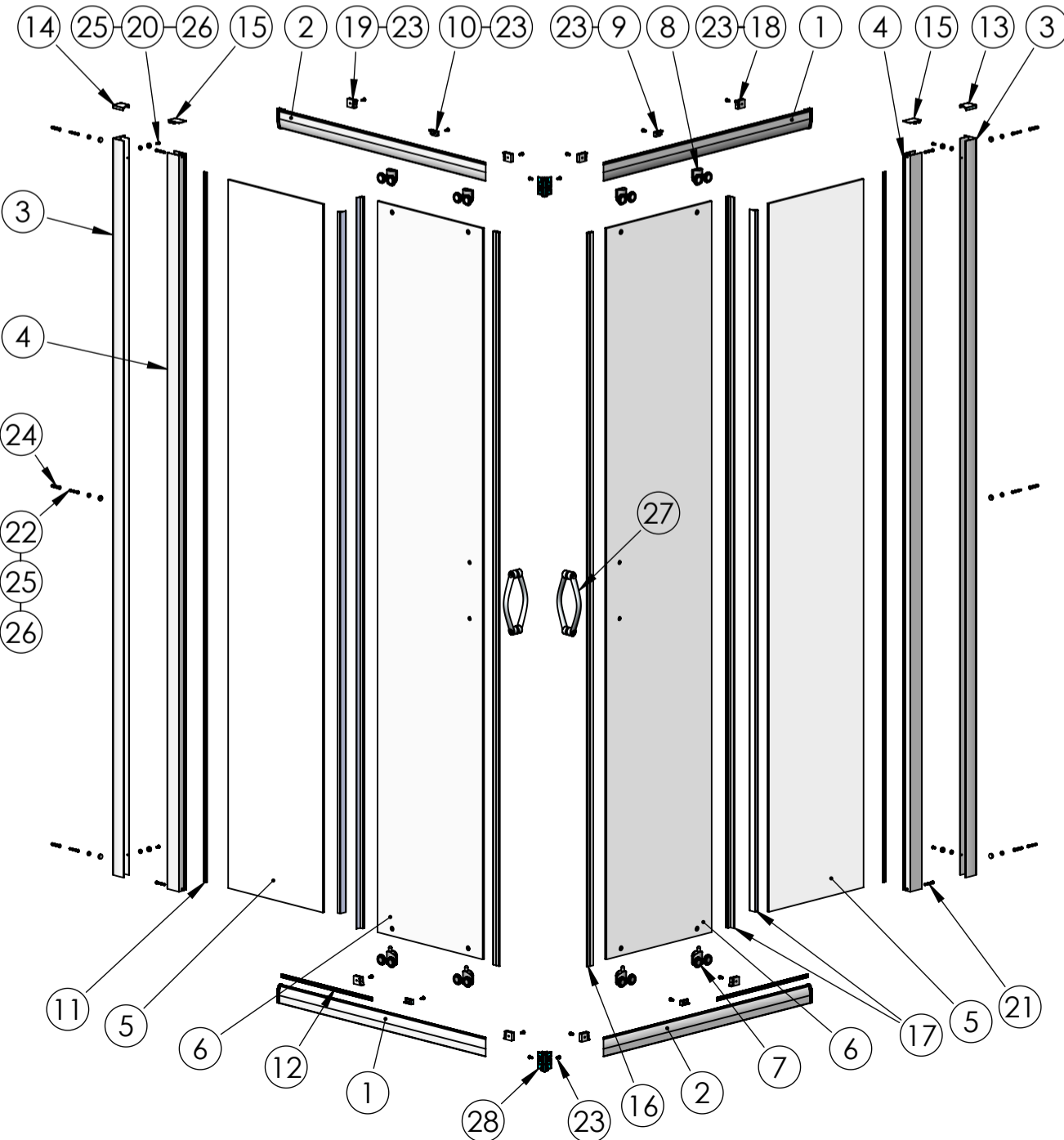
1. IS THE TRAY LEVEL? (SEE STEP 1).
2. ARE THE TOP AND BOTTOM TRACKS FULLY INSERTED AND FLUSH WITH THE VERTICAL PROFILES? (SEE STEP 4).
3. ARE THE RETAINER SCREWS FITTED TO LOCK THE TOP AND BOTTOM TRACKS IN PLACE? (SEE STEP 4).
4. ARE THE BOTTOM SEALS FITTED? (SEE STEP 7).
5. HAVE YOU COMPLETED STEP 3 CORRECTLY?
6. ARE THE WALL PROFILES PLUMB VERTICALLY? (SEE STEP 3).
7. DO THE FINISHED TRAY MEASUREMENTS COMPLY WITH THE ADJUSTMENTS LISTED IN THE PRODUCT SPECIFICATION?
8. HAVE THE FIXED PANELS BEEN PROPERLY SECURED? (SEE STEPS 6 & 7).
9. WHEN CONSIDERING THE LENGTH OF THE TOP TRACK ALSO CONSIDER THE VERTICAL PROFILES THAT ARE SECURED TO IT WHICH INCREASE ITS LENGTH.
10. ONCE INSTALLED LEAVE THE ENCLOSURE DOORS IN THE CLOSED POSITION WHEN NOT IN USE AS MEGNET STRENGTH WILL INCREASE OVER THE FIRST WEEK.

SILICONE THE PLASTIC MOULDING WITH AS SMALL A BEAD AS POSSIBLE.



WHERE THE FRAME VERTICAL PROFILE MEETS THE WALL PROFILE.

**5 - 6mm CORNER ENTRY EASY FIT ENCLOSURE INSTRUCTION**



UNPACK THE BOX AND ENSURE ALL COMPONENTS ARE PRESENT.

NO REFUNDS OR REFITTING COST WILL BE GIVEN IF INCOMPLETE OR DAMAGED GOODS ARE FITTED.

THE TOUGHENED SAFETY GLASS SHOULD BE HANDLED WITH CARE AS IMPACTS WILL DAMAGE THE GLASS OR ENCLOSURE.

FIT THE SHOWER TRAY AS PER THE MANUFACTURERS INSTRUCTIONS.

NOTE: IF THE TRAY ISN'T TRUE AND LEVEL, IT MUST BE RECTIFIED BEFORE SILICONING AROUND THE TOP EDGE OF THE TRAY WHERE IT MEETS THE TILES. ALLOW THE SILICONE TO DRY BEFORE FITTING THE ENCLOSURE.

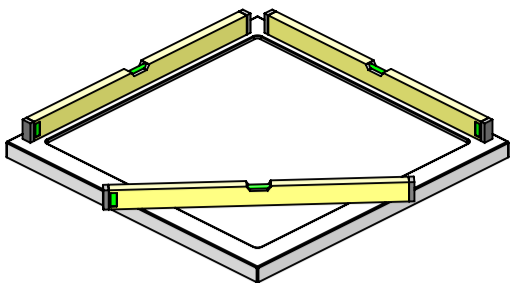
THE ENCLOSURE INSTALLATION IS RECOMMENDED AS A TWO MAN OPERATION.

**TOOLS REQUIRED**

POWER DRILL - 3mm DRILL BIT - 6mm MASONARY DRILL BIT  
 CROSS HEAD SCREW DRIVER - TAPE MEASURE - PENCIL  
 SILICONE GUN WITH SANITARY GRADE SEALANT - SPIRIT LEVEL  
 RUBBER HEAD MALLET.

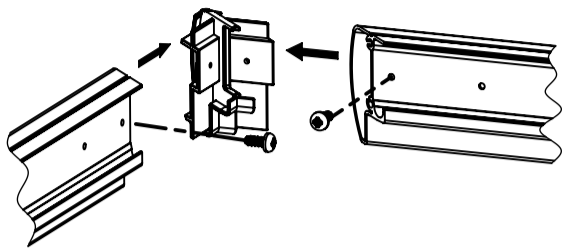
| ITEM | DESCRIPTION                                   | Notes                         | QTY |
|------|---|-------------------------------|-----|
| 1    | TRACK RH                                      |                               | 2   |
| 2    | TRACK LH                                      |                               | 2   |
| 3    | WALL PROFILE                                  |                               | 2   |
| 4    | GLASS PROFILE                                 |                               | 2   |
| 5    | FIXED PANEL GLASS                             |                               | 2   |
| 6    | DOOR GLASS                                    |                               | 2   |
| 7    | BOTTOM ROLLERS (SPRING LOADED)                | 5mm & 6mm VERSIONS            | 4   |
| 8    | TOP ROLLERS (SCREW ADJUSTED)                  | 5mm & 6mm VERSIONS            | 4   |
| 9    | GLASS CLIP RH                                 |                               | 2   |
| 10   | GLASS CLIP LH                                 |                               | 2   |
| 11   | VERTICAL WEDGE SEAL                           |                               | 2   |
| 12   | GLASS BOTTOM SEAL                             |                               | 2   |
| 13   | WALL PROFILE TOP CAP RH                       |                               | 1   |
| 14   | WALL PROFILE TOP CAP LH                       |                               | 1   |
| 15   | RECTANGULAR CAP                               |                               | 2   |
| 16   | DOOR MAGNET                                   |                               | 2   |
| 17   | VERTICAL SEALS                                | CUT TO LENGTH AS INSTRUCTED   | 4   |
| 18   | BUMP STOP RH                                  |                               | 4   |
| 19   | BUMP STOP LH                                  |                               | 4   |
| 20   | SCREW DIA 3.6mm x 9.4mm PAN HEAD (SMALL HEAD) |                               | 8   |
| 21   | SCREW DIA 3.9mm x 30mm PAN HEAD (SMALL HEAD)  | FIXING TRACK INCLUDING SPARES | 8   |
| 22   | SCREW DIA 3.9mm x 30mm PAN HEAD               | FOR FIXED TO WALL             | 6   |
| 23   | SCREW DIA 3.9mm x 10mm PAN HEAD               |                               | 12  |
| 24   | RAWLPLUG                                      |                               | 6   |
| 25   | SCREW CUP                                     |                               | 10  |
| 26   | SCREW CHROME CAP                              |                               | 10  |
| 27   | CHROME HANDLE                                 |                               | 2   |
| 28   | JOINT MOULDING                                |                               | 2   |

1



ENSURE THE TRAY IS LEVEL IN ALL PLANES.

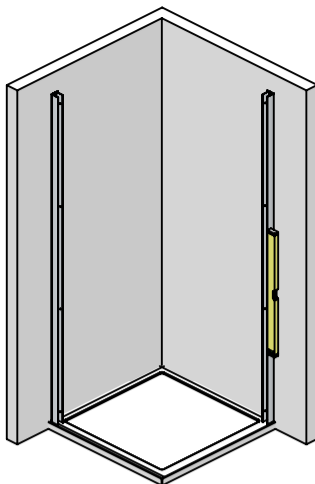
2



FIT LH & RH TRACK ONTO JOINT MOULDING. ENSURE THE TRACK IS FULLY HOME BEFORE DRILLING A 3mm HOLE THROUGH THE PRE DRILLED HOLE IN THE TRACK. THEN FIT ITEM 23 TO SECURE THE TRACK.

3

\* IF INSTALLING WITH A SIDE PANEL PLEASE REFER TO SIDE PANEL INSTRUCTION WITHIN THE SIDE PANEL BOX.



OFFER THE FRAME ONTO THE TRAY FIRST. ENSURE WALL PROFILES WILL REACH BOTH WALLS.

SOME APPLICATIONS MAY REQUIRE MORE EXTENSION THAN THE ENCLOSURE WAS DESIGNED TO DO. IF THIS IS THE CASE YOU CAN PURCHASE EXTENSION PROFILES FROM YOUR SUPPLIER THAT WILL GIVE AN EXTRA 20mm PER SIDE.

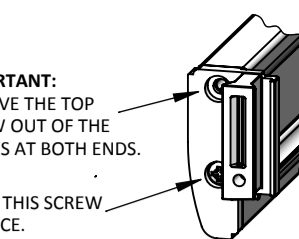
IN AN IDEAL INSTALLATION

SET THE WALL PROFILES 8mm BACK FROM THE FACE OF THE TRAY. MAKE SURE THEY ARE TRUE WITH A SPIRIT LEVEL, THEN MARK THROUGH THE FIXING HOLES WITH A PENCIL. REMOVE PROFILES THEN DRILL AND PLUG THE WALL (ITEM 24). NOW FIX THE WALL PROFILES IN PLACE USING ITEMS 22.

4

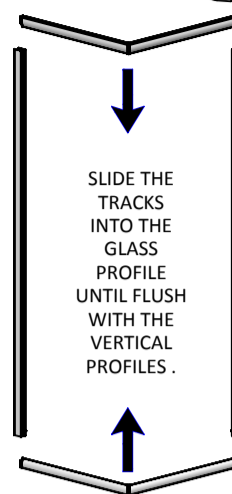
IMPORTANT: REMOVE THE TOP SCREW OUT OF THE TRACKS AT BOTH ENDS.

LEAVE THIS SCREW IN PLACE.

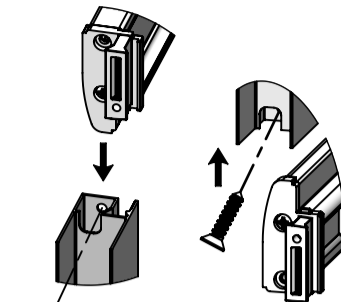


IMPORTANT: FACES MUST BE PARALLEL BEFORE INSERTING INTO PROFILE.

ONCE PARTIALLY ENGAGED IT MAY BE NECESSARY TO LIGHTLY TAP THE TRACK ALL THE WAY HOME. USING A SOFT Mallet.

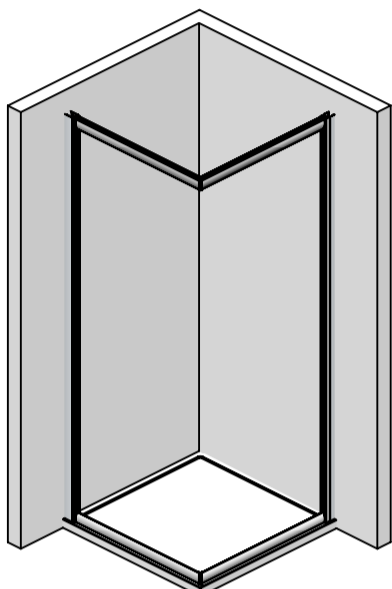


SLIDE THE TRACKS INTO THE GLASS PROFILE UNTIL FLUSH WITH THE VERTICAL PROFILES.



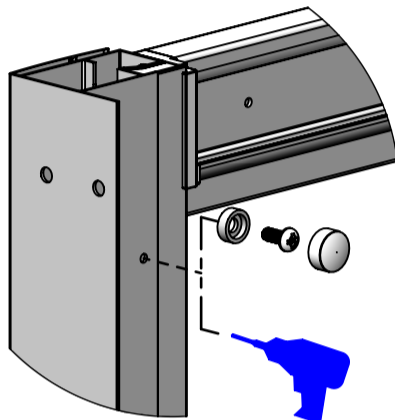
WHEN BOTH TRACKS ARE IN PLACE FIT ITEM 21 THROUGH THE HOLES SHOWN. THIS WILL LOCK THE TRACKS IN PLACE.

5



FIT THE FRAME INTO THE WALL PROFILES. ADJUSTING UNTIL THERE IS AN EVEN GAP BETWEEN THE FRONT EDGE OF THE TRAY AND BOTTOM TRACK (12mm). THERE SHOULD ALSO BE AN EQUAL AMOUNT OF FRAME IN EACH WALL PROFILE. ENSURE THE FRAME IS TRUE ON BOTH SIDES BEFORE IT IS FIXED IN PLACE.

6



VIEW FROM INSIDE OF ENCLOSURE.

WHEN THE FRAME IS TRUE AND READY TO BE FIXED, DRILL THROUGH THE HOLES IN THE WALL PROFILE WITH A 3mm DRILL. (MAKE SURE YOU ONLY DRILL THROUGH ONE WALL THICKNESS) THEN FIX THE FRAME WITH ITEMS 23, 25 & 26.

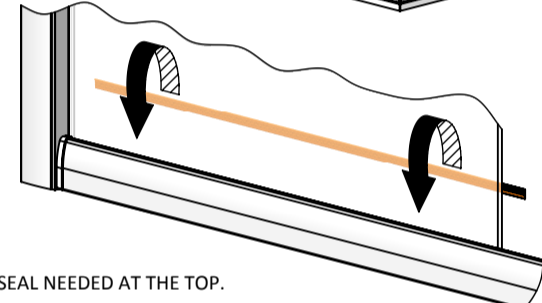
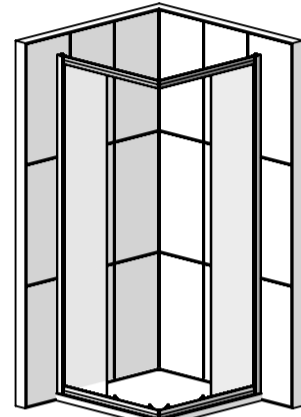
7

SLIDE FIX PANEL GLASS (ITEM 5) INTO GLASS PROFILE (ITEM 4) AS SHOWN. DO NOT FORCE INTO PROFILE.

FIT GLASS CLIPS RH/LH UNDER GLASS. ONLY TIGHTEN SCREW PART WAY. FIT GLASS BOTTOM SEAL (ITEM 12) BETWEEN GLASS & PROFILE. FIT GLASS CLIPS RH/LH AT TOP AND TIGHTEN ALL SCREWS.

ALTERNATIVELY USE A SMALL BEAD OF CLEAR SILICONE ON THE OUTSIDE OF THE GLASS INSTEAD OF THE SEAL.

REPEAT FOR OPPOSITE SIDE.

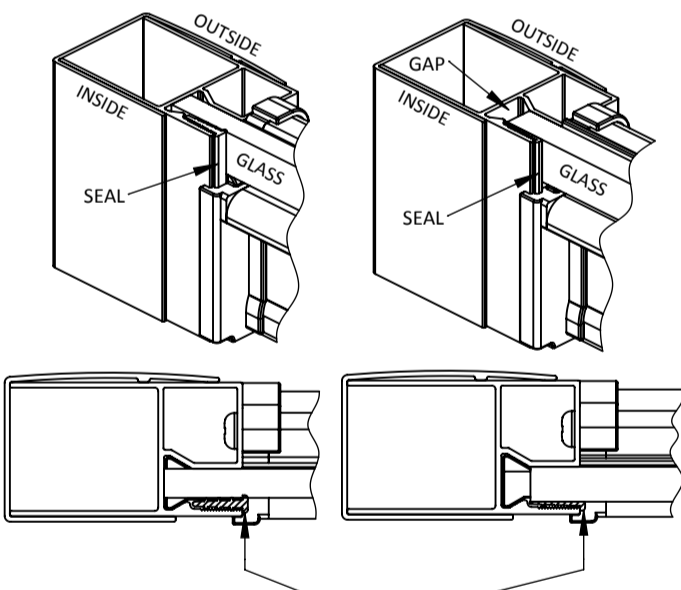


THERE IS NO SEAL NEEDED AT THE TOP.

8

5mm VERSION

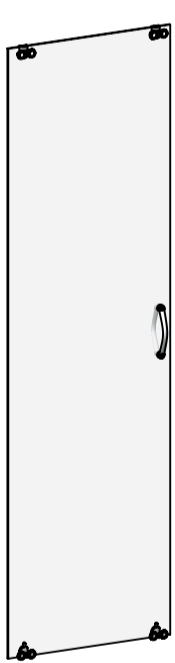
6mm VERSION



INSERT VERTICAL WEDGE SEAL (ITEM 11) INTO THE INSIDE OF THE ENCLOSURE BETWEEN THE GLASS AND THE GLASS PROFILE.

9

5mm ROLLERS



HEIGHT ADJUSTABLE TOP ROLLER

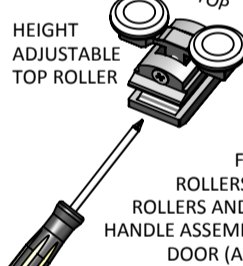
SPRING LOADED BOTTOM ROLLER.

TURN ADJUSTER SCREW UNTIL THERE IS AN EQUAL GAP BEFORE FITTING.

FIT THE TOP ROLLERS, BOTTOM ROLLERS AND ALSO THE HANDLE ASSEMBLY TO THE DOOR (AS SHOWN).

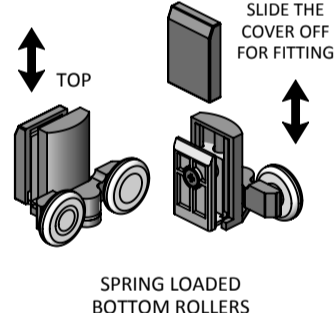
REMOVE CAP AND SECURING SCREW. THEN OPEN THE SADDLE TO FIT OVER GLASS. REPLACE SCREW AND CAP.

6mm ROLLERS



HEIGHT ADJUSTABLE TOP ROLLER

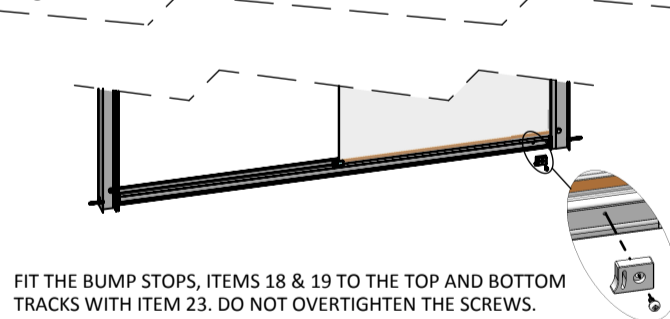
FIT THE TOP ROLLERS, BOTTOM ROLLERS AND ALSO THE HANDLE ASSEMBLY TO THE DOOR (AS SHOWN).



SLIDE THE COVER OFF FOR FITTING

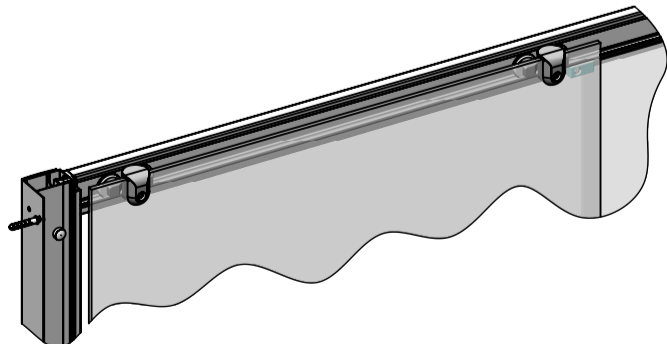
SPRING LOADED BOTTOM ROLLERS

10



FIT THE BUMP STOPS, ITEMS 18 & 19 TO THE TOP AND BOTTOM TRACKS WITH ITEM 23. DO NOT OVERTIGHTEN THE SCREWS.

11



HANG THE DOOR ON THE TOP TRACK, ENSURING THE WHEELS ARE LOCATED IN THE PROFILE CHANNEL. THEN FROM OUTSIDE PUSH BUTTON ON THE BOTTOM ROLLERS TO LOCATE THEM INTO THE BOTTOM TRACK CHANNEL.

WHEN THE DOOR IS FITTED TURN THE ADJUSTER SCREW ON THE TOP ROLLERS TO LEVEL THE DOORS AND MAKE IT TRUE WITH THE MAGNETIC POST.

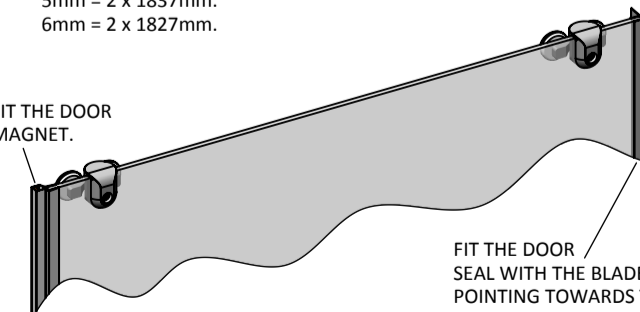
NOTE : WHEN THE DOOR OPENS IT SHOULD HIT THE TOP BUMP STOP AND THE BOTTOM BUMP STOP AT THE SAME TIME.

12

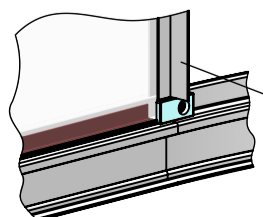
CUT THE VERTICAL PVC SEALS TO LENGTH AS FOLLOWS:  
5mm = 2 x 1837mm (DOOR) & 2 x 1762mm (FIXED GLASS).  
6mm = 2 x 1827mm (DOOR) & 2 x 1762mm (FIXED GLASS).

CUT THE DOOR MAGNETS TO LENGTH AS FOLLOWS:  
5mm = 2 x 1837mm.  
6mm = 2 x 1827mm.

FIT THE DOOR MAGNET.



FIT THE DOOR SEAL WITH THE BLADE POINTING TOWARDS THE FIXED GLASS PANEL.



FIT THE FIXED GLASS SEAL WITH THE BLADE POINTING TOWARDS THE DOOR.

13

FIT THE ENCLOSURE TOP CAPS.

