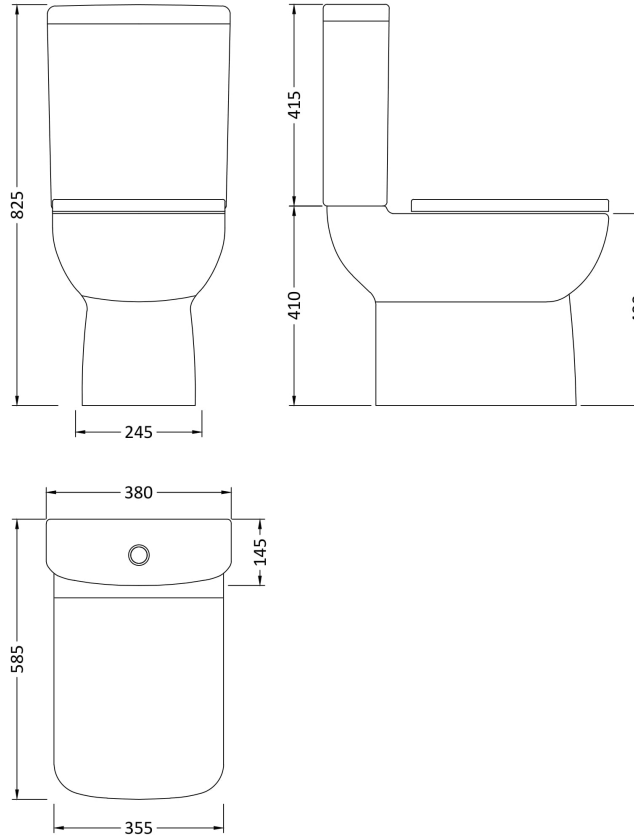


**Sales Code:** Cpc020

**Description:** Ambrose Compact Semi Flush To Wall Wc

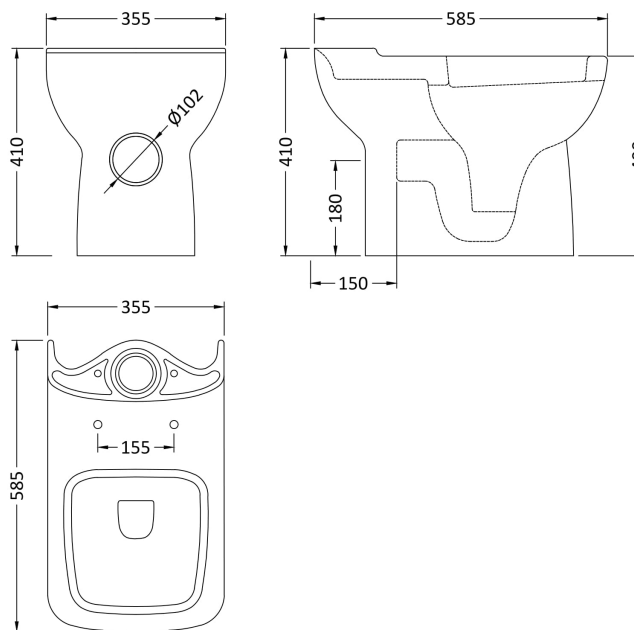


**Packaging Details**

Barcode: 5055275867587

**Sales Code:** NCB500A

**Description:** Open Back Pan Only



**Product Dimensions**

Height (mm):	410
Width (mm):	355
Depth (mm):	585
Nett Weight (kg):	40.1

**Packaging Dimensions**

Height (mm):	420
Width (mm):	400
Depth (mm):	600
Gross Weight (kg):	40.6

**Packaging Data**

Box Colour:	Brown Cardboard Box - Printed
Box Qty:	1
Label Size:	100 x 50
Label Colour:	White Label
Label Qty:	2

**Outer Box Dimensions (If Applicable)**

Height (mm):	
Width (mm):	
Depth (mm):	
Gross Weight (kg):	
Barcode:	5055275813959

**Product Details**

Country of Origin:	Turkey
Fitting Instruction:	No
Certification:	CE: Yes WRAS: N/A WRAS No: N/A
Product Material:	Vitreous China
Fixing Supplied:	No

**Pans/Bidets:** Trap Style: P Trap Includes Seat: No

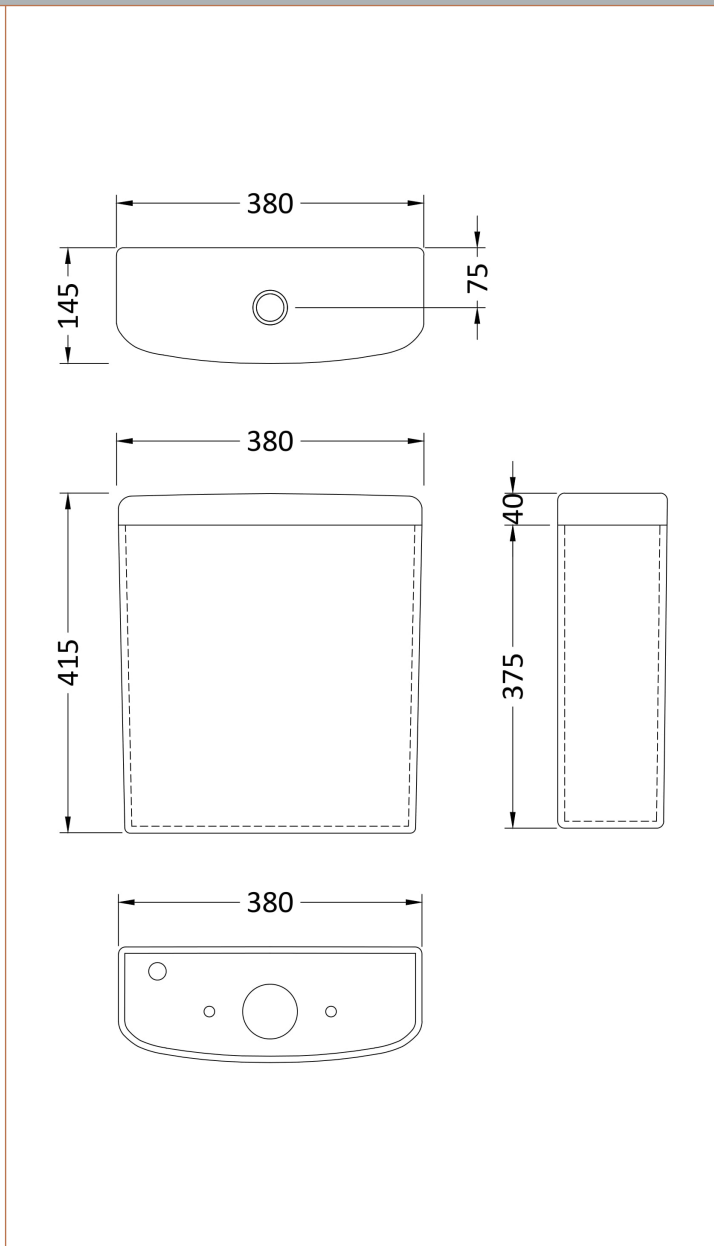
**Seats:** Seat Type: D-Shape Material: Not Applicable  
 Function: Not Applicable Hinge Type: Top Fix  
 Hinge Material: Not Applicable

**Cisterns:** Operating Type: Not Applicable Fittings: Not Applicable  
 Lever Type: Not Applicable

**Basins:** Tap Hole: Not Applicable Chain Stay Hole: Not Applicable  
 Template: Not Applicable Waste Type Req: Not Applicable  
 Overflow Inc: Not Applicable Overflow Cover: Not Applicable  
 Inner Bowl Depth (mm): N/A

Sales Code: NCB501

Description: Cc Short Projection Cistern & Fittings



**Product Dimensions**

Height (mm):	415
Width (mm):	380
Depth (mm):	145
Nett Weight (kg):	14

**Packaging Dimensions**

Height (mm):	475
Width (mm):	390
Depth (mm):	185
Gross Weight (kg):	14.2

**Packaging Data**

Box Colour:	Brown Cardboard Box - Printed
Box Qty:	1
Label Size:	100 x 50
Label Colour:	White Label
Label Qty:	2

**Outer Box Dimensions (If Applicable)**

Height (mm):	
Width (mm):	
Depth (mm):	
Gross Weight (kg):	
Barcode:	5055369063192

**Product Details**

Country of Origin:	Turkey
Fitting Instruction:	No
Certification:	CE: Yes WRAS: N/A WRAS No: N/A
Product Material:	Vitreous China
Fixing Supplied:	No

**Pans/Bidets:** Trap Style: Not Applicable Includes Seat: Not Applicable

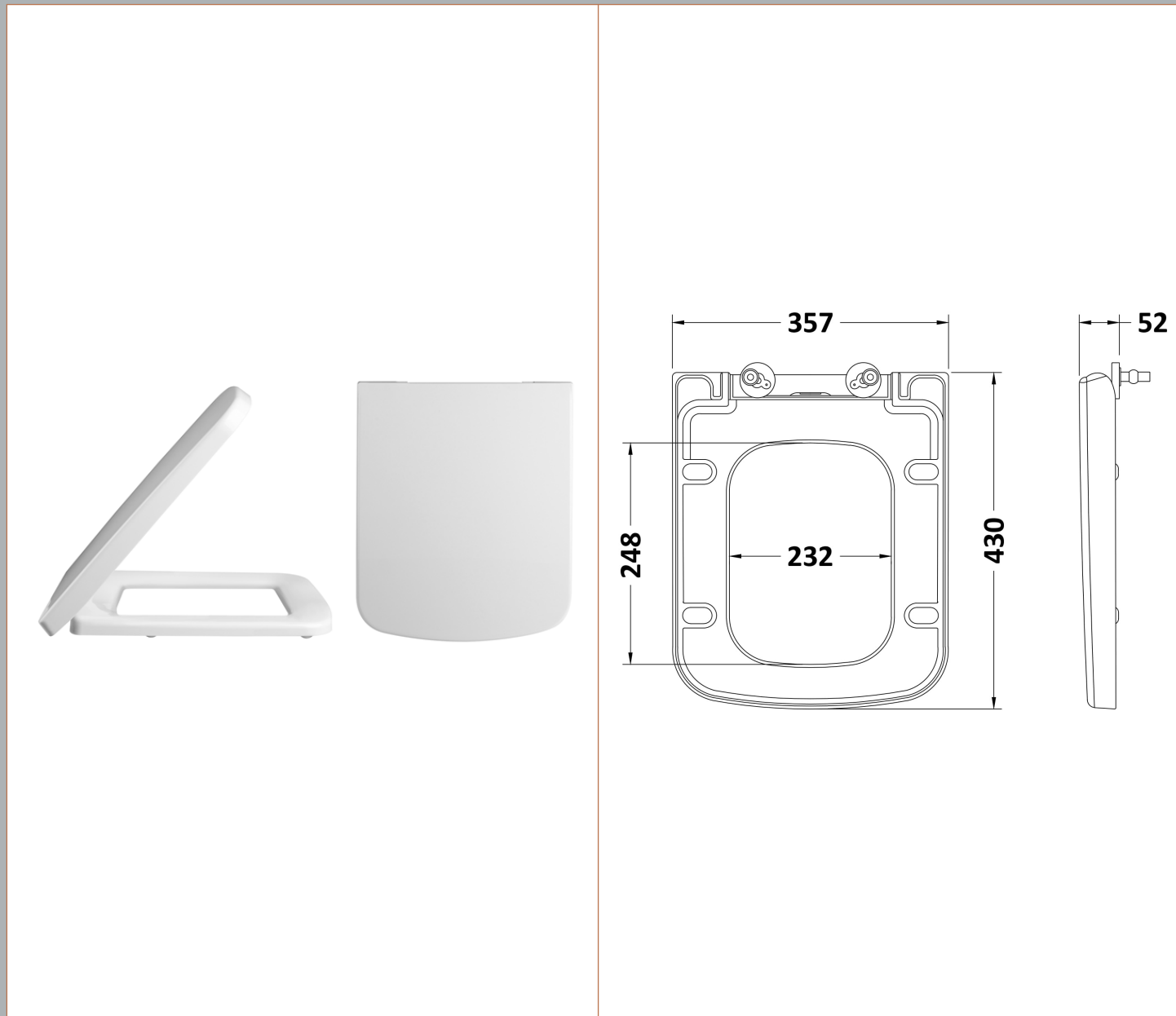
**Seats:** Seat Type: Not Applicable Material: Not Applicable  
Function: Not Applicable Hinge Type: Not Applicable  
Hinge Material: Not Applicable

**Cisterns:** Operating Type: Push Button Fittings: Loose 6/3L  
Lever Type: Plastic Chrome Plate

**Basins:** Tap Hole: Not Applicable Chain Stay Hole: Not Applicable  
Template: Not Applicable Waste Type Req: Not Applicable  
Overflow Inc: Not Applicable Overflow Cover: Not Applicable  
Inner Bowl Depth (mm): N/A

**Sales Code:** NCB699

**Description:** Toilet Seat Square Softclose Pp



**Product Dimensions**

Length (mm):	390
Width (mm):	355
Height (mm):	52
Nett Weight (kg):	2

**Packaging Dimensions**

Length (mm):	445
Width (mm):	377
Height (mm):	60
Gross Weight (kg):	2.73

**Packaging Data**

Box Colour:	White Cardboard Box - Printed
Box Qty:	1
Label Size:	100 x 50
Label Colour:	Not Applicable
Label Qty:	1

**Outer Box Dimensions (If Applicable)**

Length (mm):	165
Width (mm):	165
Height (mm):	685
Gross Weight (kg):	
Barcode:	5055369063215

**Product Details**

Country of Origin:	Turkey
Fitting Instruction:	No
CE Certification:	Not Applicable
Product Material:	Polypropylene
Seat Type:	Square
Seat Function:	Soft Close
Hinge Centres (Min):	
Hinge Centres (Max):	113
Hinge Material:	Polypropylene
Colour/Finish:	White
Fixing Method:	Top Fix