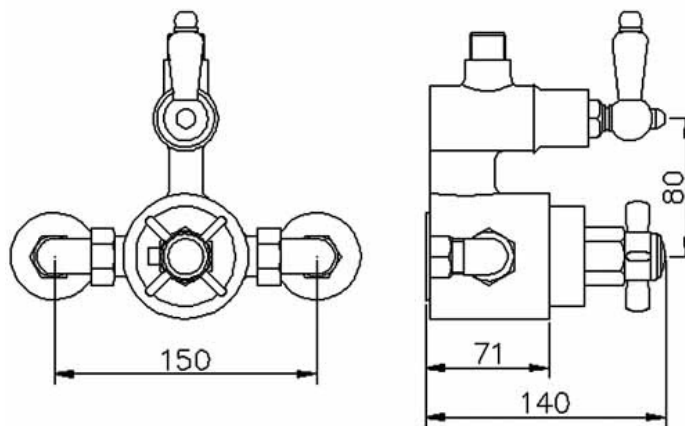


Sales Code: CP148

Description: Trad Twin Exp Valve And Rigid Riser Kit



Product Dimensions

Length (mm):
 Width (mm):
 Height (mm):
 Depth (mm):
 Nett Weight (kg): 0.55

Packaging Dimensions

Length (mm): 550
 Width (mm): 550
 Height (mm):
 Gross Weight (kg): 0.55

Packaging Data

Box Colour:
 Box Qty:
 Label Size: x
 Label Colour:
 Label Qty:

Outer Box Dimensions (If Applicable)

Length (mm):
 Width (mm):
 Height (mm):
 Depth (mm):
 Gross Weight (kg):
 Barcode: 5055369037179

Product Details

Country of Origin:
 Fitting Instruction: Yes
 Product Material:
 Mount Type:
 Outlet Elbow Supplied:
 Easy Clean:
 Head Included:
 Handset Included:
 Body Jets Included:
 No of Body Jets:
 Operating Pressure (bar):
 Valve/Cartridge Type:
 Flow Rates (L/min): 0.1 bar: 0.5 bar: 1 bar: 2 bar: 3 bar:
 TMV2 Approved: Approval No:
 TMV3 Approved: Approval No:
 WRAS Approved: Approval No:
 Head Function:
 Handset Function:
 Body Jet Info:
 Pipe Size:
 Pipe Centres:
 Colour/Finish:
 Hose Included:
 No. of Outlets: