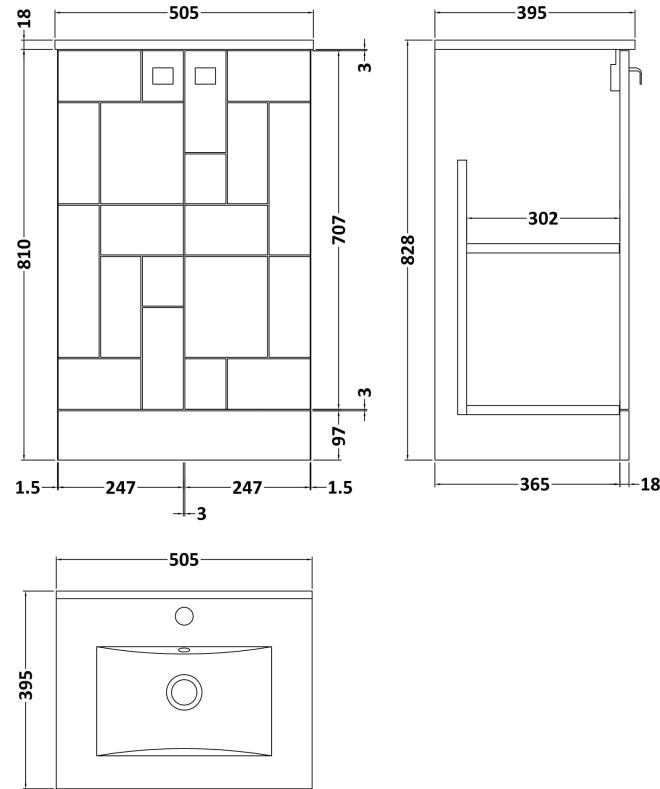


Sales Code: BLO303B

Description: 500 F/S 2-Door Unit & Basin 2

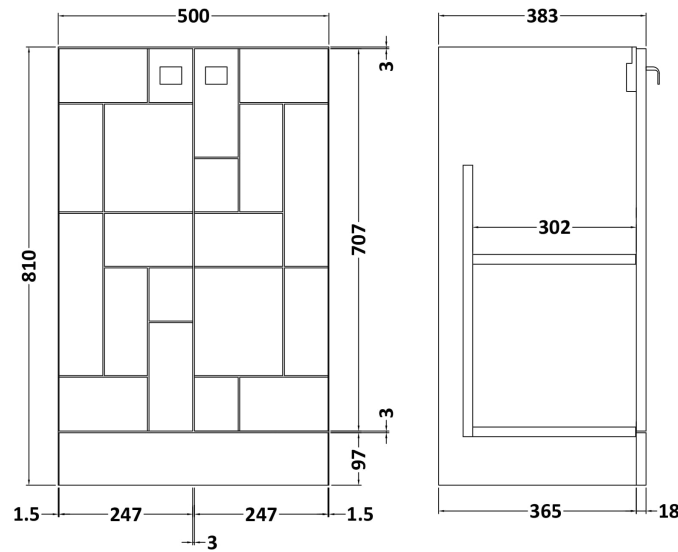


Packaging Details

Barcode: 5056211887829

Sales Code: MOF324A

Description: 500 F/S 2-Door Unit



Product Dimensions

| | |
|-------------------|------|
| Height (mm): | 810 |
| Width (mm): | 500 |
| Depth (mm): | 383 |
| Nett Weight (kg): | 20.5 |

Packaging Dimensions

| | |
|--------------------|-----|
| Height (mm): | 830 |
| Width (mm): | 520 |
| Depth (mm): | 405 |
| Gross Weight (kg): | 21 |

Packaging Data

| | |
|---------------|---------------------|
| Box Colour: | Brown Cardboard Box |
| Box Qty: | 1 |
| Label Size: | 100 x 50 |
| Label Colour: | White Label |
| Label Qty: | 2 |

Outer Box Dimensions (If Applicable)

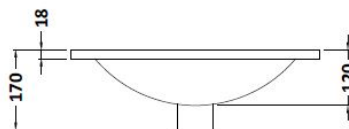
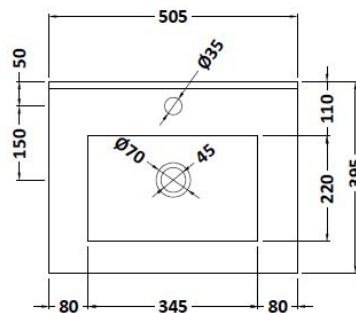
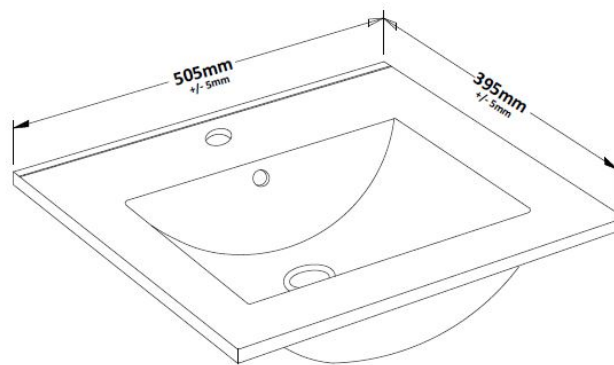
| | |
|--------------------|---------------|
| Height (mm): | |
| Width (mm): | |
| Depth (mm): | |
| Gross Weight (kg): | |
| Barcode: | 5056211891741 |

Product Details

| | |
|-------------------------|------------------------------|
| Country of Origin: | China |
| Fitting Instruction: | No |
| Certification: | FSC: Yes CE: N/A |
| Colour: | Satin Blue |
| Construction Method: | Cam & Wood Dowel |
| Construction Type: | Rigid |
| Cabinet Finish: | MFC Painted Matt |
| Fascia Finish: | Mdf Painted Matt |
| Cabinet Thickness (mm): | 18 |
| Fascia Thickness (mm): | 18 |
| Drawer Included: | No |
| Drawer Type: | Not Applicable |
| No of Shelves: | 1 |
| Hinge Type: | 95 Degree Clip-On Soft Close |
| Hinge Included: | Yes, Supplied |
| Adjustable Legs: | No, Not Required |
| Fixings Included: | Yes |
| Handle Style: | Modern |
| Handle Included: | Yes, Supplied |
| Waste Shroud: | No |
| Handle Type: | Drop |

Sales Code: NVM001

Description: 500mm Minimalist Basin 1Th



Product Dimensions

| | |
|-------------------|-----|
| Height (mm): | 170 |
| Width (mm): | 500 |
| Depth (mm): | 390 |
| Nett Weight (kg): | 9 |

Packaging Dimensions

| | |
|--------------------|-----|
| Height (mm): | 400 |
| Width (mm): | 520 |
| Depth (mm): | 200 |
| Gross Weight (kg): | 9 |

Packaging Data

| | |
|---------------|---------------------|
| Box Colour: | Brown Cardboard Box |
| Box Qty: | 1 |
| Label Size: | 105 x 50 |
| Label Colour: | White Label |
| Label Qty: | 1 |

Outer Box Dimensions (If Applicable)

| | |
|--------------------|---------------|
| Height (mm): | |
| Width (mm): | |
| Depth (mm): | |
| Gross Weight (kg): | |
| Barcode: | 5055275828670 |

Product Details

| | |
|----------------------|--------------------|
| Country of Origin: | China |
| Fitting Instruction: | No |
| Certification: | CE: WRAS: WRAS No: |
| Product Material: | Vitreous China |
| Fixing Supplied: | No |

Pans/Bidets: Trap Style: Not Applicable Includes Seat: Not Applicable

Seats: Seat Type: Not Applicable Material: Not Applicable
Function: Not Included Hinge Type: Not Relevant
Hinge Material: Not Applicable

Cisterns: Operating Type: Not Applicable Fittings: None Included
Lever Type: Not Applicable

Basins: Tap Hole: One Taphole Chain Stay Hole: No
Template: Not Required Waste Type Req: Slotted
Overflow Inc: Yes Overflow Cover: Yes
Inner Bowl Depth (mm): 120mm